

REVISION RECORD				
REV	ECN	DESCRIPTION	DRFT	DATE

NOTES1:

UL Standard

1. Rated Voltage/Current : 600V / 30A
2. Withstanding Voltage : AC2200V/1Min.
3. Torque Value : M3 , 4.43Lb.in
4. Wire Range : 26~10AWG

IEC Standard

1.

Pollution Degree	3
Overvoltage Category	III
Rate Impulse Voltage(KV)	8.0KV
Rate Voltage(V)	1000V
Rate Current(A)	32A

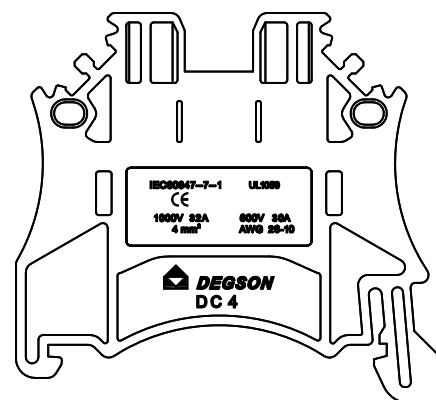
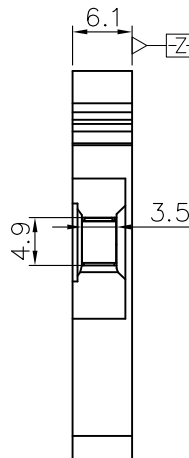
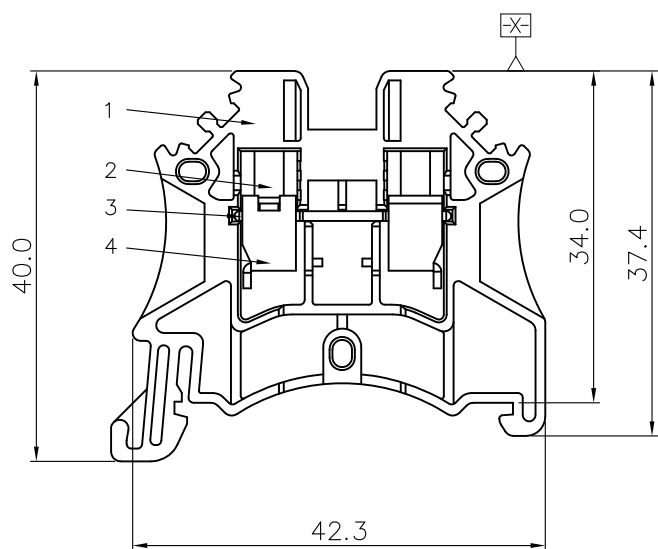
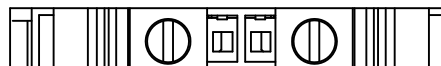
2. Torque Value : M3 , 0.5N.m
3. Wire Range : 0.5~4mm²

NOTES2:

1. Dimension shall be interpreted per ASME Y14.5-2009
2. Pitch : 6.1mm, Poles : 01P
3. Stripping length : 8-9mm
4. Operating temperature: -40°C~+105°C
5. Undimensioned Tolerances:

Pitch Range In mm		Nominal Dimension Range In mm						-	∩	∇
TO	Over 6 TO 10	Over 10 TO 24	Over 30 TO 60	Over 60 TO 100	Over 100 TO 150	Over 150	0.1/10			
6	±0.15	±0.20	±0.30	±0.50	±0.70	±1.00	±1.30	±2'		

6. RoHS Compliance



DC4-01P-1Y-00AH
DC4 - series
Y = 1 (Grey color of Housing)

4	GAGE	2	STEEL	M3/Zn PLATED
3	CURRENT CARRIER	1	COPPER ALLOY	Sn PLATED
2	SCREW	2	STEEL	M3/Zn PLATED
1	HOUSING	1	PA66	UL94V-0
ITEM	NAME OF PART	Q'TY	MATERIAL	NOTES

DETACHED LISTS	PART NO.:	/		
	APPD:	NAME: DEGSON ® NINGBO DEGSON ELECTRICAL CO., LTD		
	CHKD:	DC4-01P-1Y-00A(H)		
	DRFT: ding 2015/10/28	TITLE: CUSTOMER DRAWING	REV	D0-1
		DRAWING NO.: DC4-C01	SHEET	1/1
	THIRD ANGLE PROJECTION	MM (INCH)	DO NOT SCALE DRAWING	SCALE 1:1