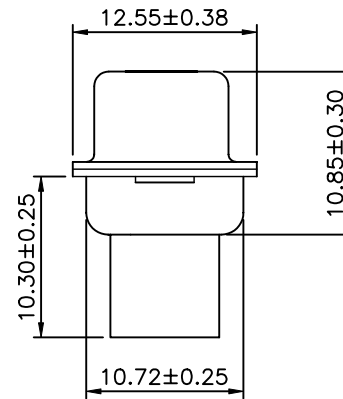
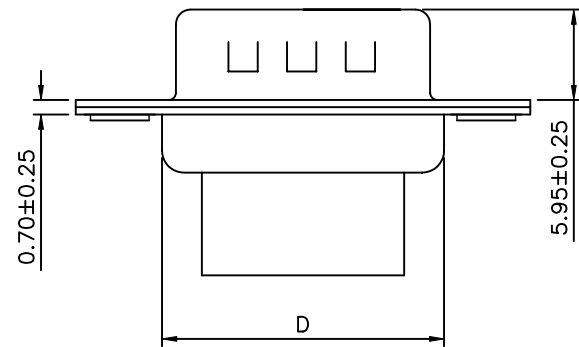
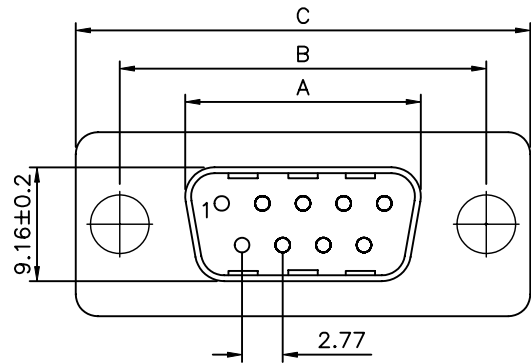


SPECIFICATION

Dielectric Withstanding Voltage:500V AC Min
 Insulation Resistance:1000Megohms Min
 Temperature Rating:-55°C~+105°C
 Insulator:PBT Thermoplastic 30% Glass
 Filled UL94V-0 Rated Black Color
 Shell:Steel Material Nickel Finished
 Dimples On Plug Only
 RoHS Compliant



Pin	A±0.25	B±0.13	C±0.38	D±0.38
09	17.83	24.99	30.81	19.28
15	24.66	33.32	39.14	27.51
25	39.85	47.04	53.04	41.28
37	54.84	63.50	69.32	57.71

AUK A MEMBER OF AUK GROUP
太聯事業股份有限公司
AUK CONTRACTORS CO., LTD.

CATEGORY		APPROVED BY		UNLESS OTHERWISE SPECIFIED TOLERANCES ARE .X ±0.38 .XX ±0.25 ANG:					
PART No. DCXXPT-H		MEI							
DRAWING No. DCXXPT-H		CHECKED BY HZF							
		DRAWING BY JLT							
SCALE	NONE	REV.	A0	UNIT mm	⊕	△ A0	NEW RELEASE	HZF	03/01/2008
						NO.REV.	REVISIONS	CHK	DATE