

REVISION RECORD				
REV	ECN	DESCRIPTION	DRFT	DATE

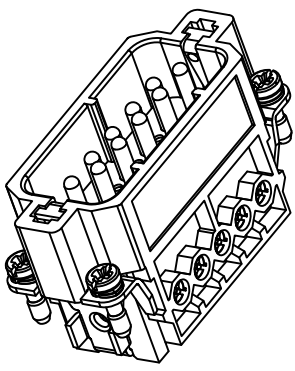
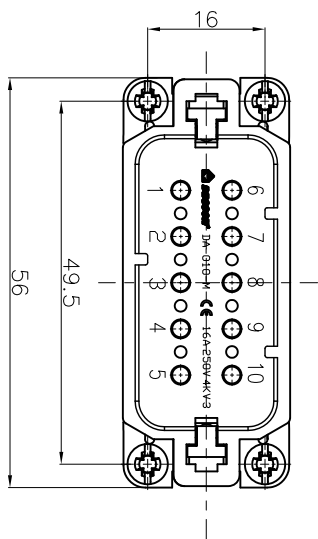
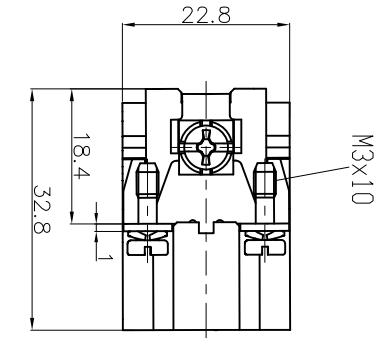
Technical characteristics:  
 Specifications  
 DIN EN 60 664-1  
 DIN EN 61 984

Inserts

01. Number of contacts :10+PE
02. Rated Current :16A
03. Rated Voltage :250V
04. Pollution degree :3
05. Rated impulse voltage :4kv<sup>10</sup>
06. Insulation resistance :≥10Ω
07. Material:Polycarbonate
08. Rated voltage acc. to UL/GSA:600V
09. Limiting temperatures : -40°C~+125°C
10. Flammability acc. to UL94:V0
11. Mechanical working life (mating cycles) : ≥500

Contacts

01. Material:Copper alloy
02. Surface:hard-silver plated
03. Contact resistance : ≤ImΩ
04. Terminal :Screw terminal
05. Wire gauge :1.0-2.5mm<sup>2</sup> (AWG 18-14)
06. Tightening torque :0.5Nm
07. Stripping length :7.5mm
08. Rohs Compliance



DETACHED LISTS				
PART NO.:	/	NINGBO DEGSON ELECTRICAL CO., LTD 宁波高松电子有限公司		
APPD:				
CHKD:				
NAME:	DA-010-M			
DRFT:	YONG	2016.07.25	TITLE: CUSTOMER DRAWING	
THIRD ANGLE PROJECTION			DRAWING NO.: DA-010-M-E01	
			REV	DO-1
			SHEET	1/1
			DO NOT SCALE DRAWING	SCALE