

REVISION RECORD				
REV	ECN	DESCRIPTION	DRFT	DATE

Technical characteristics:

Specifications

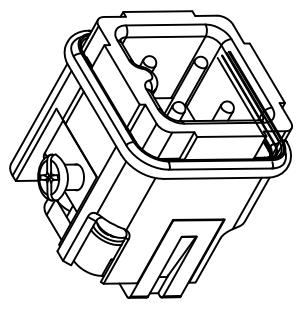
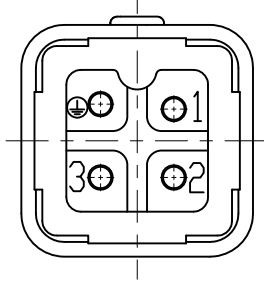
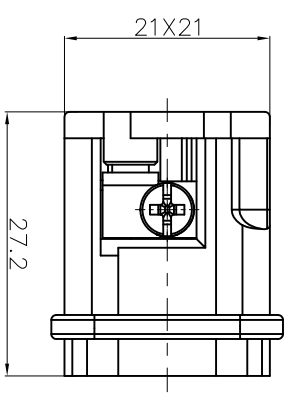
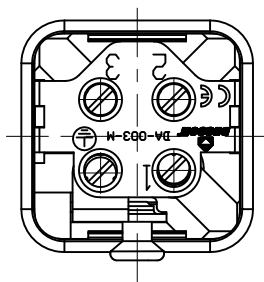
DIN EN 60 664-1
DIN EN 61 984

Inserts

- 01. Number of contacts :3+PE
- 02. Rated Current :10A
- 03. Rated Voltage conductor-ground :230V
- 04. Rated Voltage conductor-conductor :400V
- 05. Pollution degree :3
- 06. Rated impulse voltage :4kv¹⁰
- 07. Insulation resistance :≥10Ω
- 08. Material:Polycarbonate
- 09. Rated voltage acc. to UL/CSA:600V
- 10. Limiting temperatures : -40°C~+125°C
- 11. Flammability acc. to UL94:V0
- 12. Mechanical working life (mating cycles) :≥500

Contacts

- 01. Material:Copper alloy
- 02. Surface:hard-silver plated
- 03. Contact resistance :≤ImΩ
- 04. Terminal :Screw terminal
- 05. Wire gauge :1.0-2.5mm² (AWG 18-14)
- 06. Tightening torque :0.25Nm
- 07. Stripping length :7mm
- 08. Rohs Compliance



DETACHED LISTS			
PART NO.:	/	NAME:	DEGSON 宁波高松电子有限公司 NINGBO DEGSON ELECTRICAL CO., LTD
APPD:		APPD:	DA-003-M
CHKD:		TITLE:	CUSTOMER DRAWING
DRFT:	Mr. Yang 2016.07.25	DRAWING NO.:	/
THIRD ANGLE PROJECTION		DO NOT SCALE DRAWING	SCALE
		REV	DO
		SHEET	1/1

A 8 7 6 5 4 3 2 1