

| 未注公差/General tolerances(mm) |       |       |       |       |       |       |       |       |       |       |       |       | 0.1/10 |
|-----------------------------|-------|-------|-------|-------|-------|-------|-------|-------|-------|-------|-------|-------|--------|
| 0                           | >3    | >6    | >10   | >18   | >30   | >50   | >80   | >120  | >180  | >250  | >315  | >400  |        |
| ~3                          | ~6    | ~10   | ~18   | ~30   | ~50   | ~80   | ~120  | ~180  | ~250  | ~315  | ~400  | ~500  |        |
| ±0.12                       | ±0.18 | ±0.22 | ±0.26 | ±0.31 | ±0.37 | ±0.57 | ±0.80 | ±0.93 | ±1.05 | ±1.15 | ±1.60 | ±2.20 | ±2.50  |

A

B

C

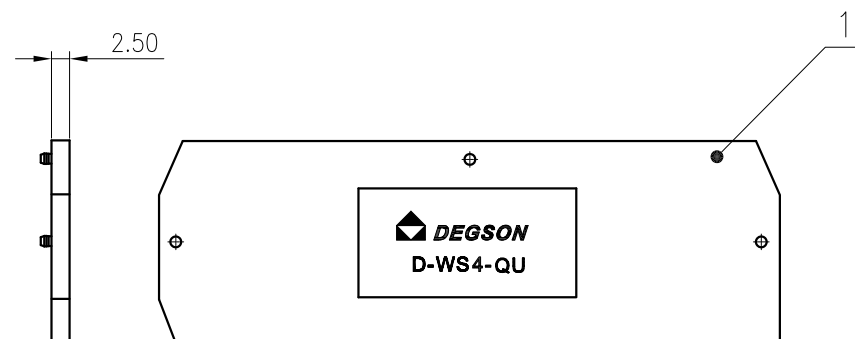
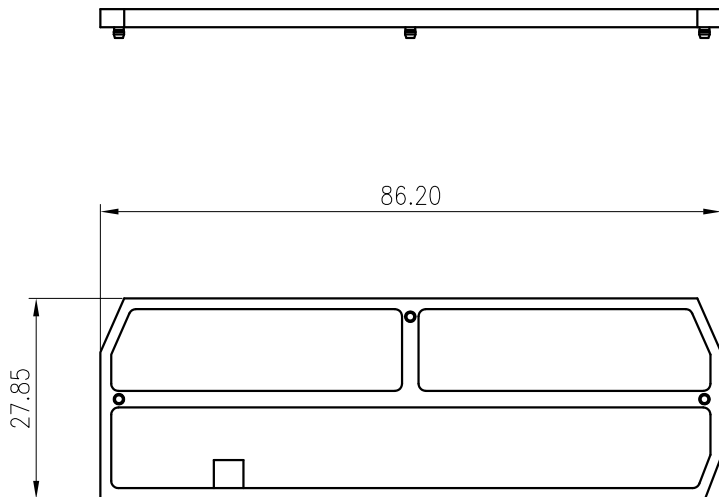
D

A

B

C

D



| 1                                | Cover        | PA66     | UL94V-0  |
|----------------------------------|--------------|----------|----------|
| ITEM                             | NAME OF PART | MATERIAL | NOTES    |
| 使用温度范围/Operating temperature(°C) |              |          | -40~+105 |
| 符合RoHS环保要求/Conform to RoHS       |              |          | Yes      |
| 标准颜色编号/Standard color number:    |              |          | /        |
| PANTONE / RAL                    |              |          | /        |

|                         |   |    |  |
|-------------------------|---|----|--|
| MATERIAL: /             | SURFACE: /                                      |    |  |
| MAT NO.: /              | 宁波高松电子有限公司<br>NINGBO DEGSON ELECTRICAL CO., LTD |    |  |
| STATUS: /               |   |    |  |
| APPD: Li GL 2020.06.06  | NAME: D-WS4-QU-01P-11-00A(H)                    |    |  |
| CHKD: Mao J 2020.06.06  | DRAWING NO.: D-WS4-QU-C01                       |    |  |
| DRFT: Wang Y 2020.06.06 | REV   | TO |  |

| REV | ECN | DESCRIPTION | DRFT | DATE | SIZE: A4 | TYPE: CUSTOMER DRAWING | SCALE: 1:1 | SHEET | 1/1 |
|-----|-----|-------------|------|------|----------|------------------------|------------|-------|-----|
|-----|-----|-------------|------|------|----------|------------------------|------------|-------|-----|