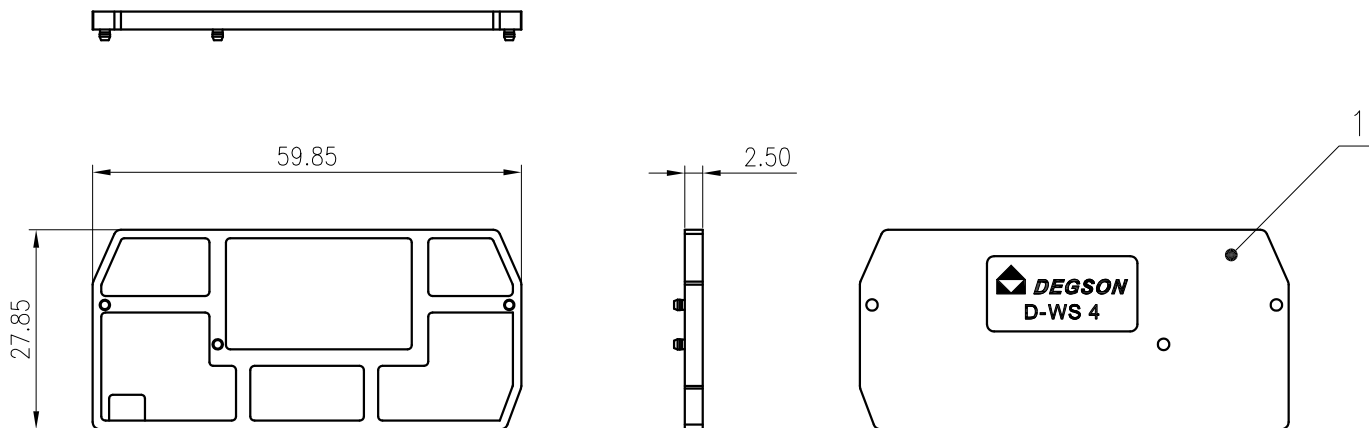


| 未注公差/General tolerances(mm) | | | | | | | | | | | | | 0.1/10 ±2' |
|-----------------------------|--------------|---------------|----------------|----------------|----------------|----------------|-----------------|------------------|------------------|------------------|------------------|------------------|---------------|
| 0 ~ 3 | >3 ~ 6 | >6 ~ 10 | >10 ~ 18 | >18 ~ 30 | >30 ~ 50 | >50 ~ 80 | >80 ~ 120 | >120 ~ 180 | >180 ~ 250 | >250 ~ 315 | >315 ~ 400 | >400 ~ 500 | |
| ±0.12 | ±0.18 | ±0.22 | ±0.26 | ±0.31 | ±0.37 | ±0.57 | ±0.80 | ±0.93 | ±1.05 | ±1.15 | ±1.60 | ±2.20 | ±2.50 |

A

A



B

B

C

C

D

D

| 1 | Cover | PA66 | UL94V-0 |
|------|--------------|---------------|---|
| ITEM | NAME OF PART | MATERIAL | NOTES |
| | | | 使用温度范围/Operating temperature(°C) -40~+105 |
| | | | 符合RoHS环保要求/Conform to RoHS Yes |
| | | | 标准颜色编号/Standard color number: / |
| | | PANTONE / RAL | / |

| | | | |
|-------------------------------------|---|------------|-----------|
| MATERIAL: / | SURFACE: / | | |
| MAT NO.: / | 宁波高松电子有限公司 NINGBO DEGSON ELECTRICAL CO., LTD | | |
| STATUS: / | | | |
| APPD: Li GL 2020.06.06 | NAME: D-WS4-01P-11-00A(H) | | |
| CHKD: Mao J 2020.06.06 | DRAWING NO.: D-WS4-C01 | | |
| DRFT: Wang Y 2020.06.06 | REV | TO | |
| SIZE: A4 mm (inch) | TYPE: CUSTOMER DRAWING | SCALE: 1:1 | SHEET 1/1 |

| REV | ECN | DESCRIPTION | DRFT | DATE |
|-----|-----|-------------|------|------|
| | | | | |