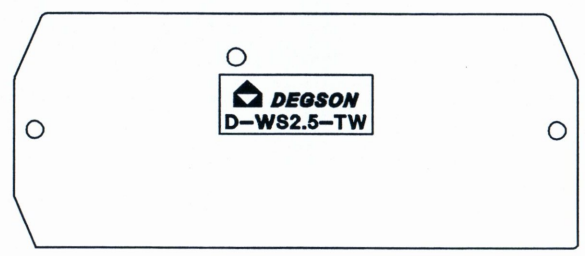
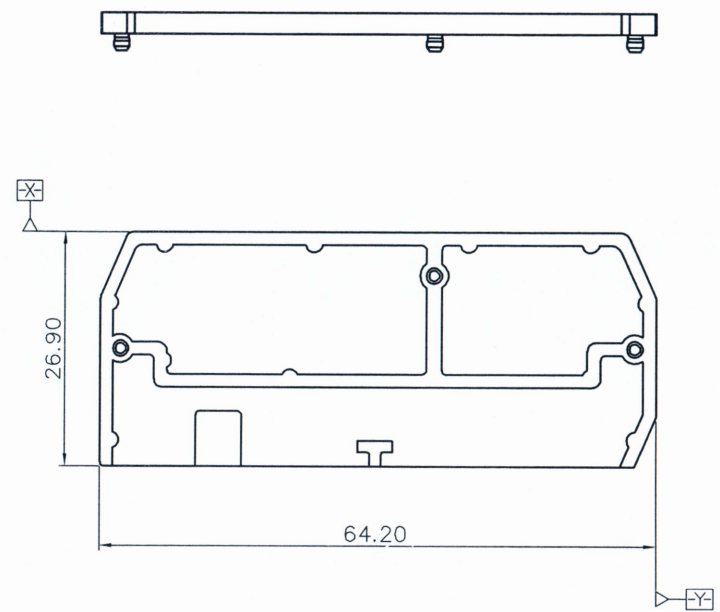


REVISION RECORD				
REV	ECN	DESCRIPTION	DRFT	DATE



D-WS2.5-TW - 01P - 1Y - 00A (H)

(Series No.) (Poles) (Single Pitch) (Color): 1.(Grey)  
 2.(Blue)  
 3.(Black)  
 4.(Green)  
 5.(Orange)  
 6.(Red)  
 7.(Transparent)  
 8.(Yellow)  
 9.(White)

(RoHS)  
 00A-(Standard)

NOTES:

- 1.Dimension shall be interpreted per ASME Y14.5-2009
- 2.Pitch : 2.5mm, Poles : 01P
- 3.Operating temperature: -40°C~+105°C
- 4.Undimensioned tolerances:

Pitch Range In mm		Nominal Dimension Range In mm				-	~	□
TO	Over	Over	Over	Over	Over	0.1/10		
6	6 TO 10	10 TO 24	30 TO 60	60 TO 100	100 TO 150	<		
±0.15	±0.20	±0.30	±0.30	±0.50	±0.70	±1.00	±1.30	±2*

5.RoHS Compliance

仅供参考图  
 签字: 蔡利彬  
 日期: 2018.11.2

1	Housing	PA66	UL94V-0
ITEM	NAME OF PART	MATERIAL	NOTES

DETACHED LISTS	PART NO.: /	宁波高松电子有限公司 NINGBO DEGSON ELECTRICAL CO., LTD		
	APPD: Robin 2018.11.2	NAME: D-WS2.5-TW--01P-1Y-00A(H)		
	CHKD: Penny 2018.11.1	TITLE: CUSTOMER DRAWING		
	DRFT: LJB 2018.11.01	DRAWING NO.: D-WS2.5-TW-C02		REV: DO-1
	THIRD ANGLE PROJECTION		MM (INCH)	DO NOT SCALE DRAWING
		SCALE	1:1	