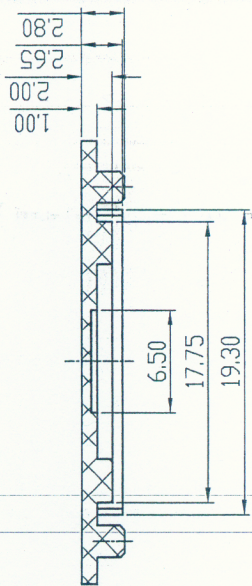
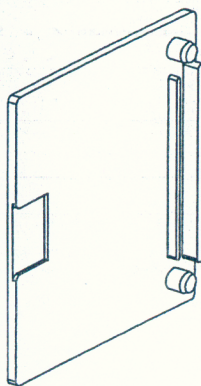


REVISION RECORD		
REV	ECD	DATE

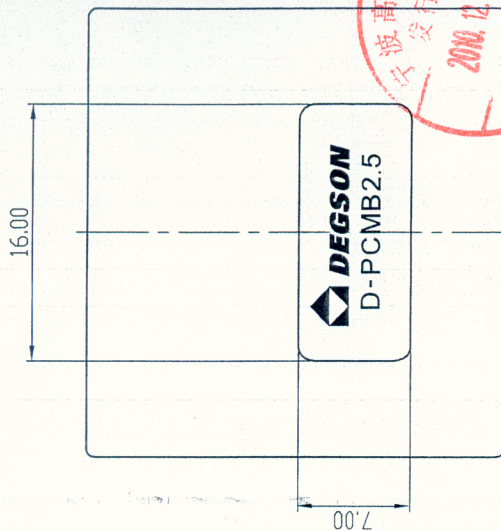
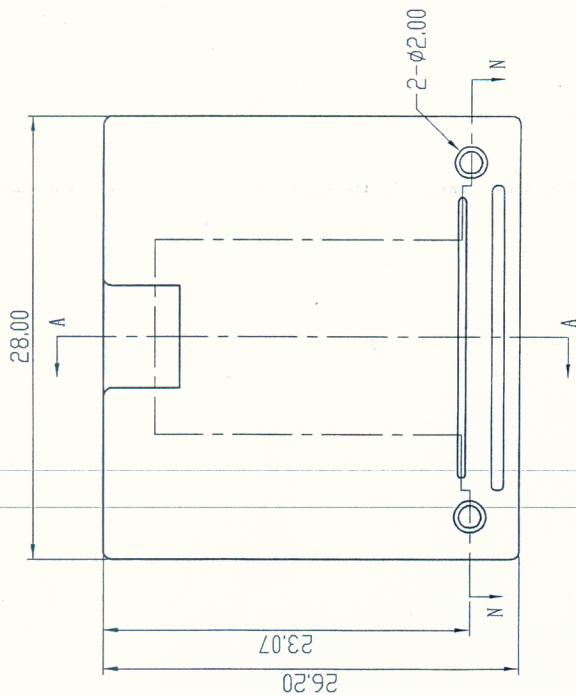
Notes:

1. Material: PA66, UL94V-0;
2. The max burr amount allowed is less than 0.05mm;
3. Undimensioned Tolerances:

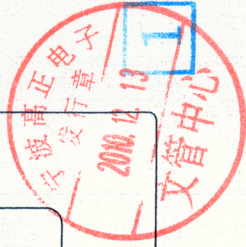
Pitch range in mm		Nominal dimension range in mm	
over	to	over	to
8	16	6	30
16	24	30	90
24	30	90	200
30	480	200	480
480		±0.08	±0.13
		±0.18	±0.1
		±0.2	±0.3
		±0.5	±0.7
		±0.7	±0.05/0.10



剖面:N-N



剖面:A-A



ITEM	NAME OF PART	NO. OF PART	Q'TY	MATERIAL	NOTES
1	PCMB2.5-Housing	607400Y01A(H)	1	PA66	UL94V-0
DT TO HXG CHK'D HXG DATE 06/25/10 DATE 12/13/10 APP'V. Hong DATE 12/13/10		MATERIAL NOTES 宁波高正电子有限公司 DEGSON® DEGSON ELECTRONICS CO., LTD NAME D-PCMB2.5-01P-1Y-00A (H)			
TOLERANCES EXCEPT AS NOTED MM .0 ± .00 ± .000 ±		MATERIAL G.E. FINISH THIRD ANGLE PROJECTION SCALE: 1:1			
DETACHED LISTS ANGLES ± 1°		DRAWING NO. PCMB2.5-E02 /PART NO. SIZE REV TO A4 TO A4 10/22/10 SHEET 1 OF 1			