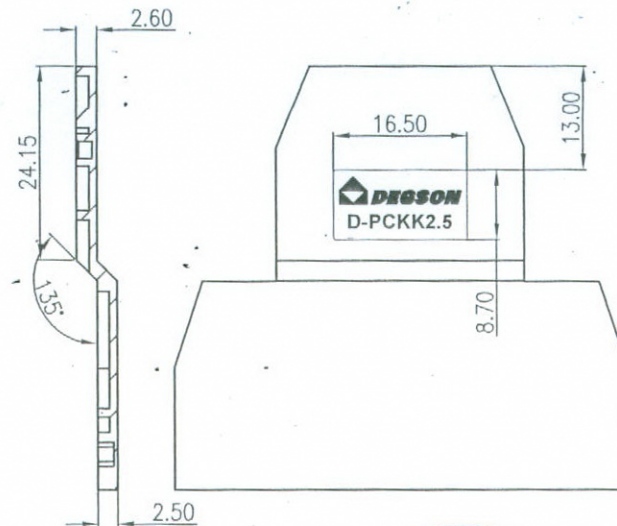
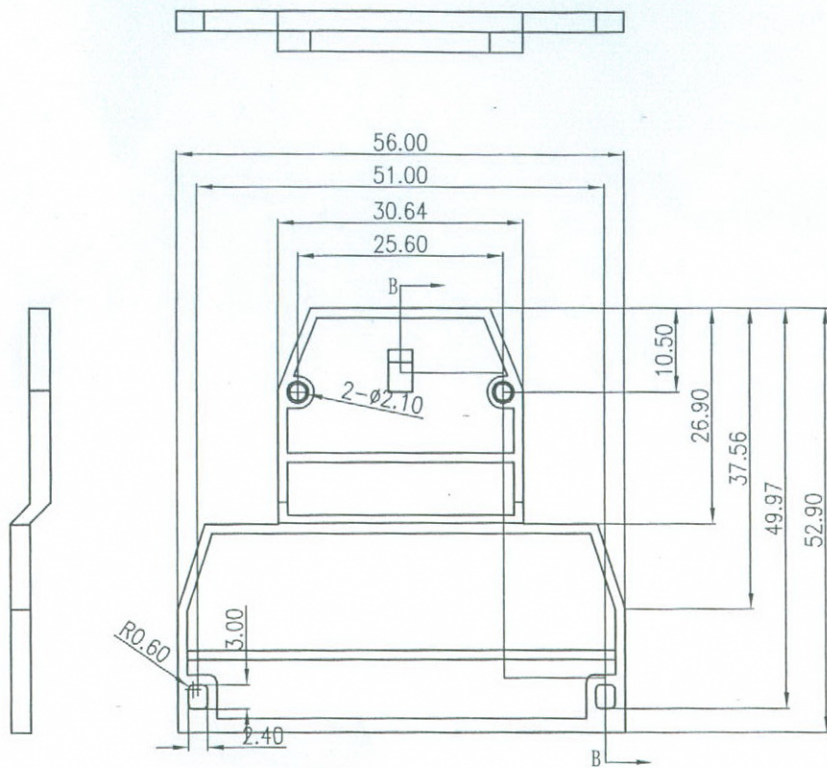


REVISION RECORD				
REV	ECO	DESCRIPTION	DRFT	DATE



技术要求:

1. 最大允许毛边量0.05mm;
2. 使用温度: -40° C ~ +105° C;
3. 未标注尺寸公差.

Pitch range in mm		Nominal dimension range in mm		
over 8 to 16	over 16 to 24	over 6 to 30	over 30 to 90	over 90 to 200
±0.08	±0.13	±0.18	±0.1	±0.2
			±0.3	±0.5
				±0.7

1	D-PCKK2.5 Cover	6052COY01A(H)	PA66	UL94V-0	
ITEM	NAME OF PART	NO. OF PART	Q'TY	MATERIAL	NOTES
DETACHED LISTS	MM (INCH)	DFTD <i>Linda</i>	DATE 01/05/08	宁波高正电子有限公司 DEGSON ELECTRONICS CO., LTD NAME D-PCKK2.5-01P-1Y-00A(H) DRAWING NO. D-PCKK2.5-P01 /PART NO. SIZE A3 REV TO 01/05/08	
	TOLERANCES EXCEPT AS NOTED	CHKD <i>Hang</i>	DATE 01/08/08		
	MM	MFO	DATE 01/10/08		
	.00 ±	±	±		
		APPL <i>lyc</i>	DATE 01/10/08	MATERIAL :	
		G.E :			
		FINISH :			
		SCALE : 1:1		DO NOT SCALE DRAWING	SHEET 1 OF 1