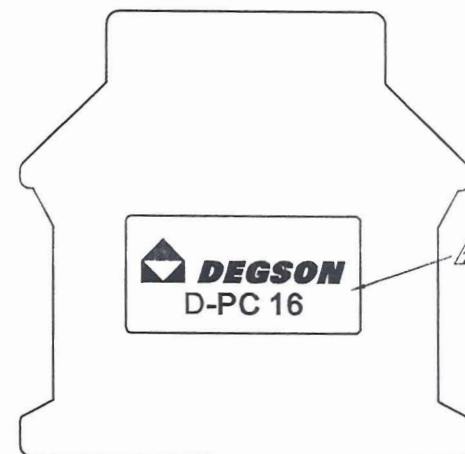
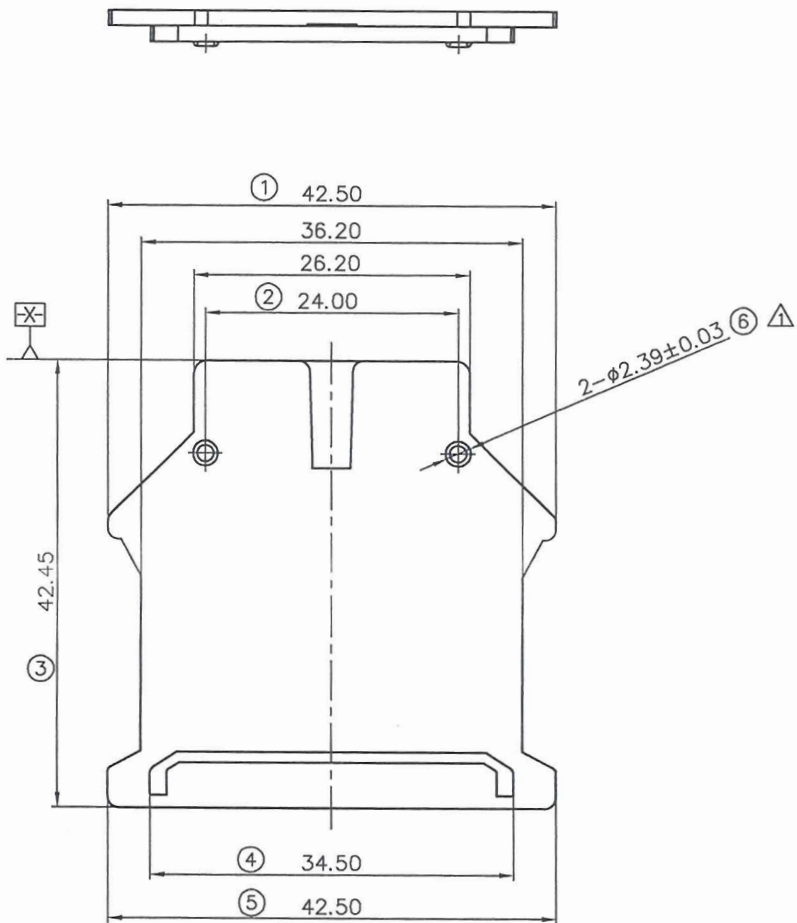


REVISION RECORD				
REV	ECN	DESCRIPTION	DRFT	DATE
△	11-0195	盖板上增加拼接柱	ZXX	07/21/11"
△	16-0151	依实物修改图纸及料号增加"H"	ding	16/05/16"



文管中心
6.29
△(仅限内部使用,对外无效)

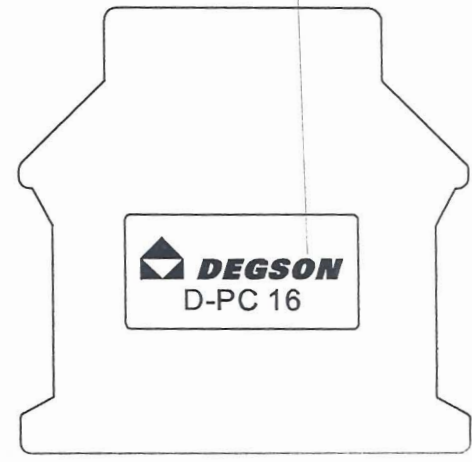
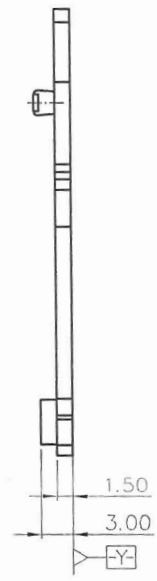
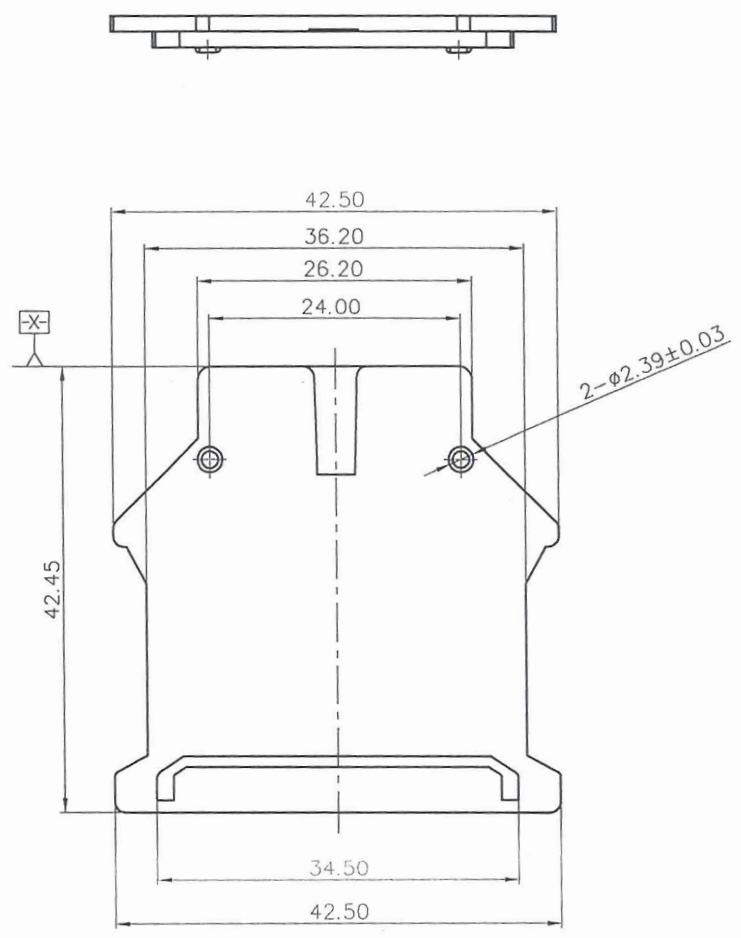
- 备注:
1. 尺寸标注符合标准 ASME Y14.5-2009
 2. P距: 1.5mm, P数范围: N=01P
 3. 使用温度范围: -40°C~+105°C
 4. "⊗" 为重点管控尺寸
 5. 未注公差表:

P距方向公差(mm)		其他尺寸公差(mm)						—	—	—
≤6	6~10	10~24	≤30	30~60	60~100	100~150	>150	0.05/10	≤	
±0.10	±0.15	±0.25	±0.20	±0.30	±0.50	±0.70	±1.00	±1'		

6. 须符合RoHS环保要求

1	D-PC16-00A 盖板	6009CYY01A(H)	1	PA66	UL94V-0
ITEM	NAME OF PART	NO. OF PART	Q"TY	MATERIAL	NOTES
PART NO.: /		NINGBO DEGSON ELECTRICAL CO., LTD			
APPD: <i>Baron 2016.6.22</i>		NAME: D-PC16-01P-1Y-00A(H)			
CHKD: <i>ZYK 06/22/16</i>		TITLE: ASSEMBLY DRAWING			
DRFT: LIN 05/29/06"		DRAWING NO.: D-PC16-E01		REV	T2
THIRD ANGLE PROJECTION		DO NOT SCALE DRAWING		SHEET	1/1
		SCALE		1:1	

REVISION RECORD				
REV	ECN	DESCRIPTION	DRFT	DATE



齐管中宵
 6.29
 仅限内部使用,对外无效

- NOTES:
- 1.Dimension shall be interpreted per ASME Y14.5-2009
 - 2.Pitch : 1.5mm, Poles : N=01P
 - 3.Operating temperature: -40°C~+105°C
 - 4.Undimensioned tolerances:

Pitch range in mm		Nominal dimension range in mm				- / 0 / □	
TO	Over	TO	Over	TO	Over	0.1/10	
6	10	30	60	100	150	≤	
6	10	24	30	60	100	±2'	
±0.15	±0.20	±0.30	±0.30	±0.50	±0.70	±1.00	±1.30

5.RoHS Compliance

1	COVER	PA66	UL94V-0
ITEM	NAME OF PART	MATERIAL	NOTES

DETACHED LISTS	PART NO.: /	宁波高松电子有限公司 NINGBO DEGSON ELECTRICAL CO., LTD		
	APPD: Robin 5/18/16	NAME: D-PC16-01P-1Y-00A(H)		
	CHKD: Ding 2016.5.17	TITLE: CUSTOMER DRAWING		
	DRFT: ding 05/16/16"	DRAWING NO.: D-PC16-C01	REV	TO
		DO NOT SCALE DRAWING	SHEET	1/1
	MM (INCH)	SCALE	1:1	