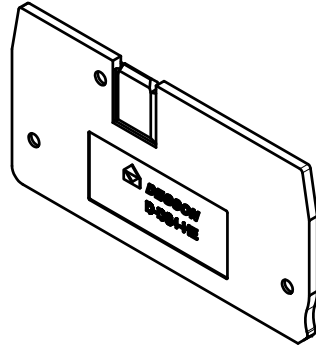
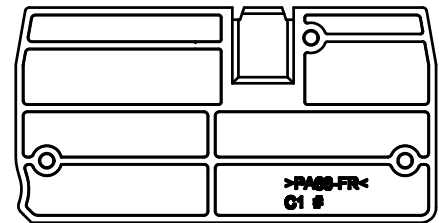
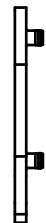
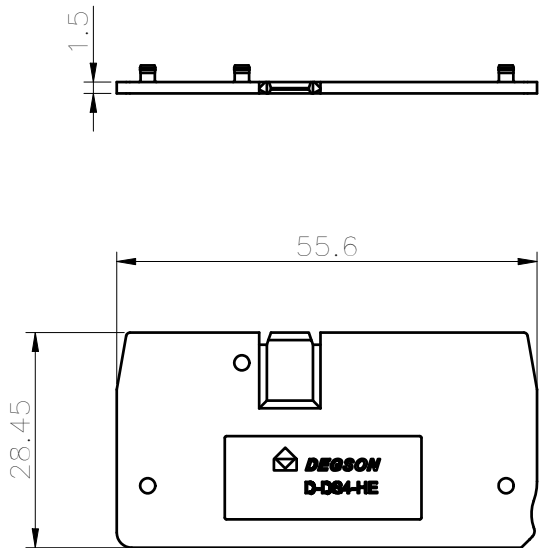


未注公差/General tolerances(mm)											0.1/10 ±2'		
0 ~ 3	>3 ~ 6	>6 ~ 10	>10 ~ 18	>18 ~ 30	>30 ~ 50	>50 ~ 80	>80 ~ 120	>120 ~ 180	>180 ~ 250	>250 ~ 315		>315 ~ 400	>400 ~ 500
±0.12	±0.18	±0.22	±0.26	±0.31	±0.37	±0.57	±0.80	±0.93	±1.05	±1.15	±1.60	±2.20	±2.50

Transfer or duplication of this document as well as the utilization or communication of its contents are prohibited unless explicit authorization is granted. Degson will be liable for compensation. All rights reserved for patent, utility model or designs registrations. 非经许可擅自复制或传播, 否则禁止转让、复制、利用、交加本文件内容, 一经发现将追究法律责任。 本公司保留对涉及发明、实用新型和外观设计的所有权利。



D-DS4-HE-01P-1Y-00AH
D-DS4-HE - series
01P - no value
1 - single-row
Y - color of housing (3 - black color)
00AH - no value
 Material: PA66 UL94-V0

使用温度范围/Operating temperature(°C)	-40~+105
符合 RoHS 环保要求/Conform to RoHS	Yes
阻燃等级/Flame class	UL94-V0

		MATERIAL: PA66	SURFACE: /	
		MAT. NO./REV: /	MAT STATUS: /	
APPD: Peng M	2022.06.07	NAME NINGBO DEGSON ELECTRICAL CO., LTD.		
CHKD: Gao WG	2022.06.07	D-DS4-HE-01P-1Y-00A(H)		
DRFT: Chen KZ	2022.06.07	DRAWING NO. /	TYPE CUSTOMER DRAWING	DRAWING STATUS /
REV	ECN	DESCRIPTION	SCALE 2:1	SHEET 1/1

00	/	/	Chen KZ	2022.06.07
REV	ECN	DESCRIPTION	DRFT	DATE