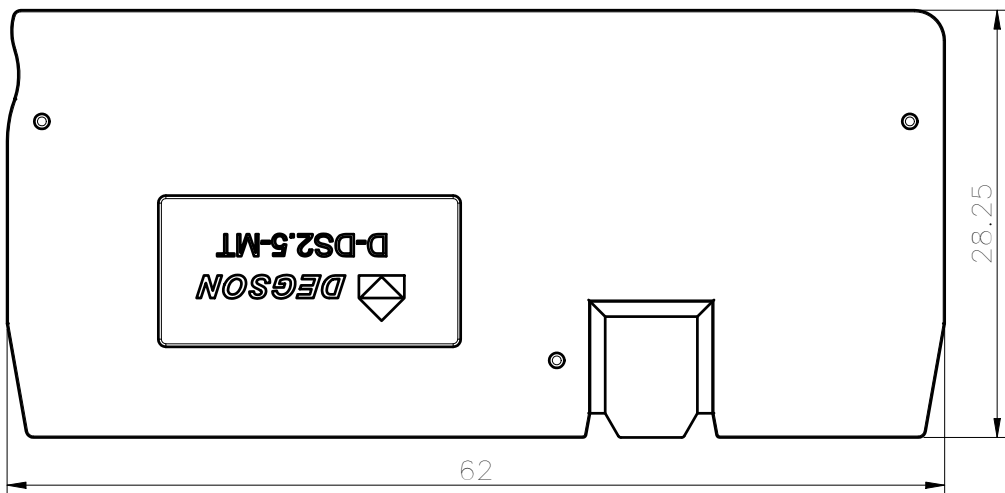
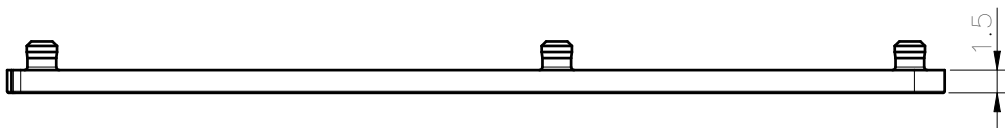
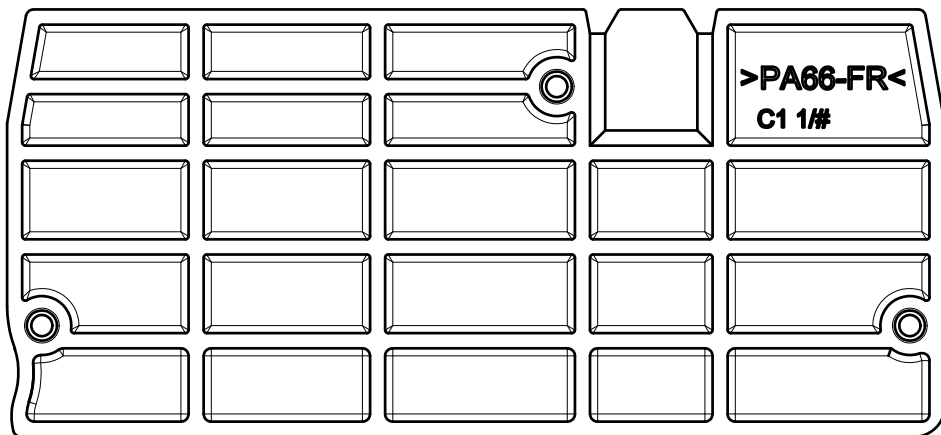


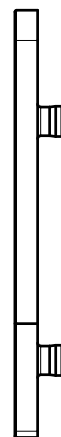
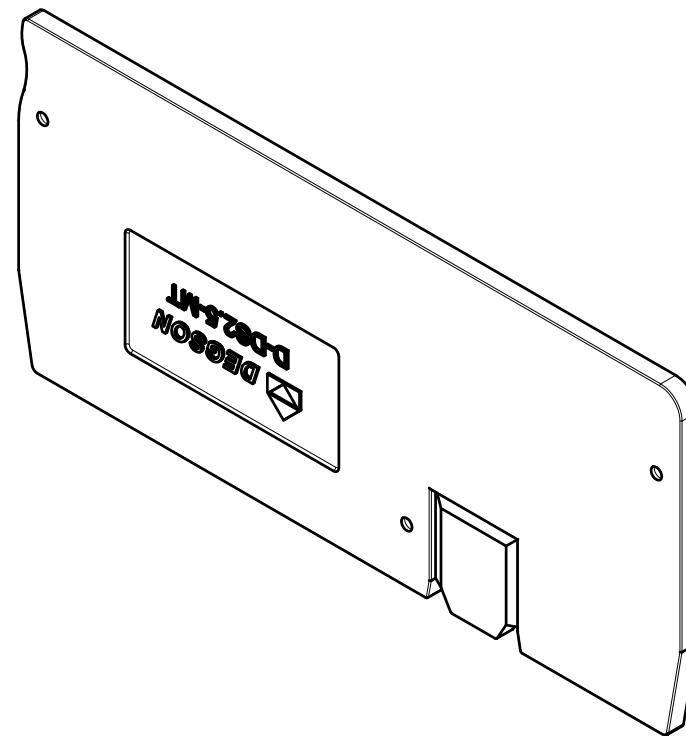
Transfer or duplication of this document as well as the utilization or communication of its contents are prohibited unless explicit authorization is granted. Degson will be liable for compensation. All rights reserved for patent, utility model or design registrations. 非经书面明确授权，严禁禁止转让、复制、利用、交加本文件的内容。侵犯者将负赔偿责任。本公司保留对涉及发明、实用新型和外观设计的所有权利。



| 未注公差/General tolerances(mm) | | | | | | | | | | | | | 0.1/10 |
|-----------------------------|-------|-------|-------|-------|-------|-------|-------|-------|-------|-------|-------|-------|--------|
| 0 | >3 | >6 | >10 | >18 | >30 | >50 | >80 | >120 | >180 | >250 | >315 | >400 | |
| ~3 | ~6 | ~10 | ~18 | ~30 | ~50 | ~80 | ~120 | ~180 | ~250 | ~315 | ~400 | ~500 | ~500 |
| ±0.12 | ±0.18 | ±0.22 | ±0.26 | ±0.31 | ±0.37 | ±0.57 | ±0.80 | ±0.93 | ±1.05 | ±1.15 | ±1.60 | ±2.20 | ±2.50 |

| | |
|----------------------------------|----------|
| 使用温度范围/Operating temperature(°C) | -40~+105 |
| 符合 RoHS 环保要求/Conform to RoHS | Yes |
| 阻燃等级/Flame class | UL94V-0 |

please refer to the 3D model, for those unmarked dimensions



| | | | | |
|-----------|------------|--|------------------------|---------------------|
| | | MATERIAL: PA66 | SURFACE: | |
| | | MAT NO./REV: 11060000429-1 / 00 | MAT STATUS: 样品 | |
| APPD: 李根旁 | 2021.12.10 | NAME: NINGBO DEGSON ELECTRICAL CO., LTD. | | |
| CHKD: 马恩开 | 2021.12.09 | D-DS2.5-MT-01P-11-00A(H) | | |
| DRFT: 黄顺 | 2021.12.09 | DRAWING NO. 200014219 | TYPE: CUSTOMER DRAWING | DRAWING STATUS: 已发布 |
| REV: / | ECN: / | SCALE: 2:1 | SHEET: 1/1 | |

| REV | ECN | DESCRIPTION | DRFT | DATE |
|-----|-----|-------------|------|------------|
| 00 | / | 首版发行 | 黄顺 | 2021.12.09 |