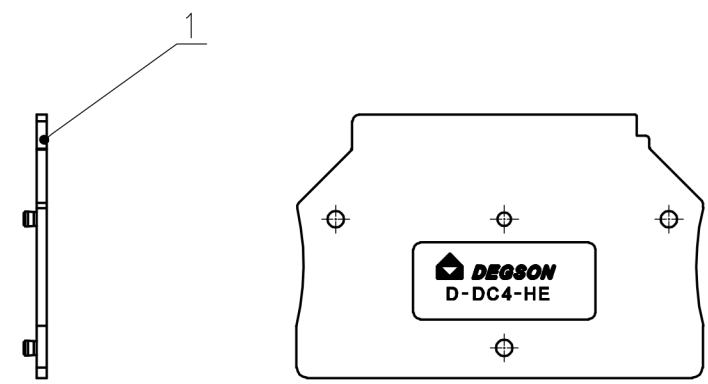
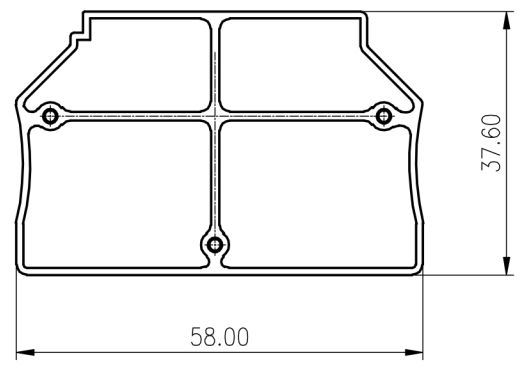
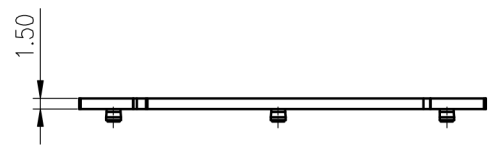


未注公差/General tolerances(mm)														
0	>3	>6	>10	>18	>30	>50	>80	>120	>180	>250	>315	>400	>500	0.1/10 EZ
~3	~6	~10	~18	~30	~50	~80	~120	~180	~250	~315	~400	~500		
±0.12	±0.18	±0.22	±0.26	±0.31	±0.37	±0.57	±0.80	±0.93	±1.05	±1.15	±1.60	±2.20	±2.50	



D-DC4-HE-01P-1Y-00AH
D-DC4-HE - series
01P - no value
1 - no value
Y = 3 (black color of cover)
00AH - no value

1	Cover	PA66	UL94V-0
ITEM	NAME OF PART	MATERIAL	NOTES
使用温度范围/Operating temperature(°C)			-40~+105
符合RoHS环保要求/Conform to RoHS			Yes
标准颜色编号/Standard color number:			/
PANTONE / RAL			

MATERIAL: /	SURFACE: /		
MAT NO.: /	宁波高松电子有限公司 NINGBO DEGSON ELECTRICAL CO., LTD		
STATUS: /			
APPD: Li GL 2020.05.21	NAME: D-DC4-HE-01P-1Y-00A(H)		
CHKD: Mao J 2020.05.21	DRAWING NO.: D-DC4-HE-C01		
DRFT: Wang LX 2020.05.21	REV	TO	
①	SIZE: A4	mm (inch)	TYPE: CUSTOMER DRAWING
	SCALE: 1:1	SHEET	1/1

REV	ECN	DESCRIPTION	DRFT	DATE