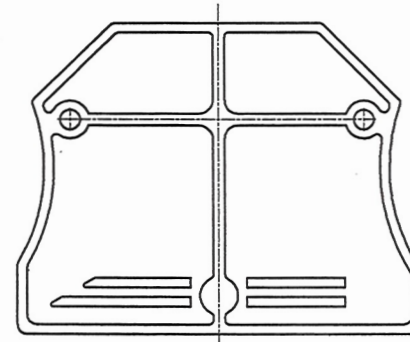
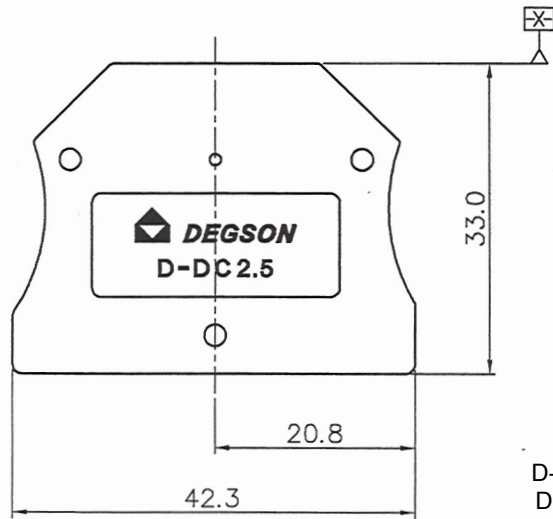
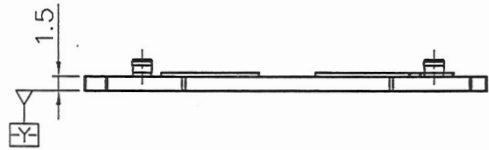


REVISION RECORD				
REV	ECN	DESCRIPTION	DRFT	DATE



D-DC2.5-01P-1Y-00AH
 D-DC2.5 - series
 Y = 1 (Grey color of Cover)

文策中心
 2018.2.03
 (仅用于内部)

NOTES:

- 1.Dimension shall be interpreted per ASME Y14.5-2009
- 2.Operating temperature: -40°C~+105°C
- 3.Undimensioned tolerances:

Pitch Range In mm		Nominal Dimension Range In mm						-	∩	D
TO	Over	Over	Over	Over	Over	Over	0.1/10			
6	6 TO 10	10 TO 24	30 TO 30	60 TO 60	100 TO 100	150 TO 150	<			
±0.15	±0.20	±0.30	±0.30	±0.50	±0.70	±1.00	±1.30	±2'		

4.RoHS Compliance

ITEM	NAME OF PART	MATERIAL	NOTES
1	COVER	PA66	UL94V-0

PART NO.:	/
APPD:	Ap 2018.01.30
CHKD:	Frank 2018.01.29
DRFT:	ding 2015.12.09
 THIRD ANGLE PROJECTION	

宁波高松电子有限公司 NINGBO DEGSON ELECTRICAL CO., LTD	
NAME: D-DC2.5-01P-1Y-00A(H)	
TITLE: CUSTOMER DRAWING	REV TO
DRAWING NO.: D-DC2.5-C01	SHEET 1/1
DO NOT SCALE DRAWING	SCALE 1:1