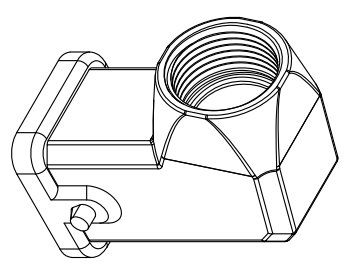
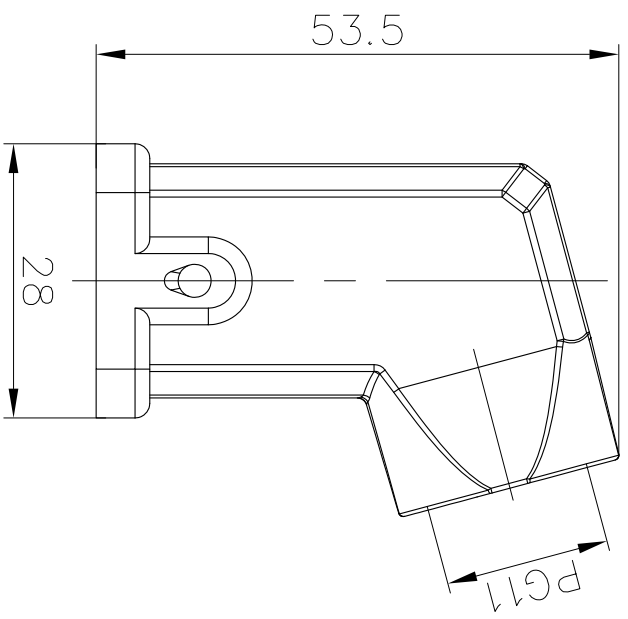
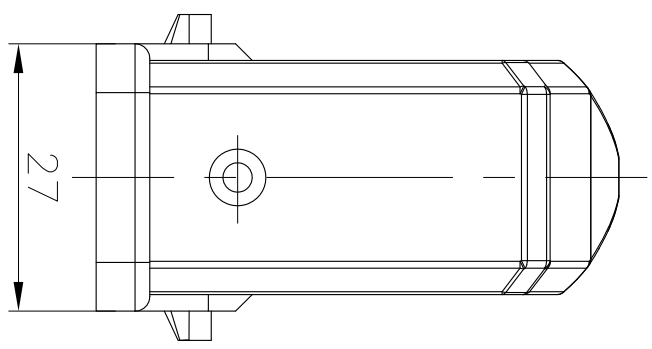


REVISION RECORD				
REV	ECN	DESCRIPTION	DRFT	DATE



Hoods Feature

1. Material: Zinc die-cast
2. Color: grey (RAL 7037)
3. Limiting temperatures: -40°C ~ +125°C
4. Flammability acc. to UL94: V0
5. Degree of protection acc. to EN60529 for coupled connector: IP65
6. Rohs Compliance

DETACHED LISTS			
PART NO.:	<b>DEGSON</b> NINGBO DEGSON ELECTRICAL CO., LTD 宁波高松电子有限公司	NAME:	D3A-SE-2g-PG11
APPD:		TITLE:	CUSTOMER DRAWING
CHKD:		DRAWING NO.:	D3A-SE-2g-PG11-E01
DRFT:		REV	DO-1
THIRD ANGLE PROJECTION		SCALE	2:1