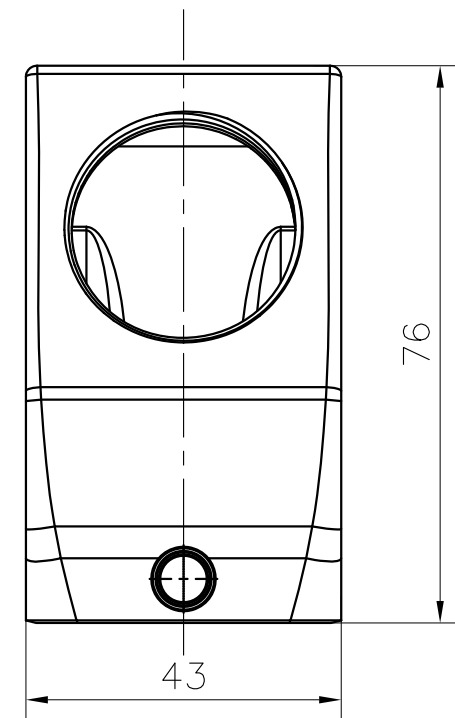
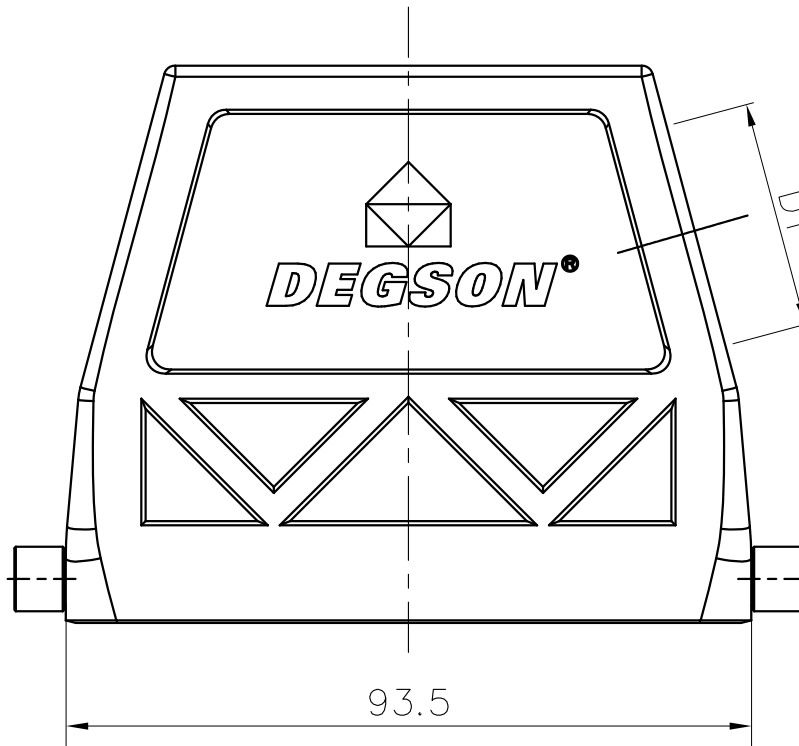
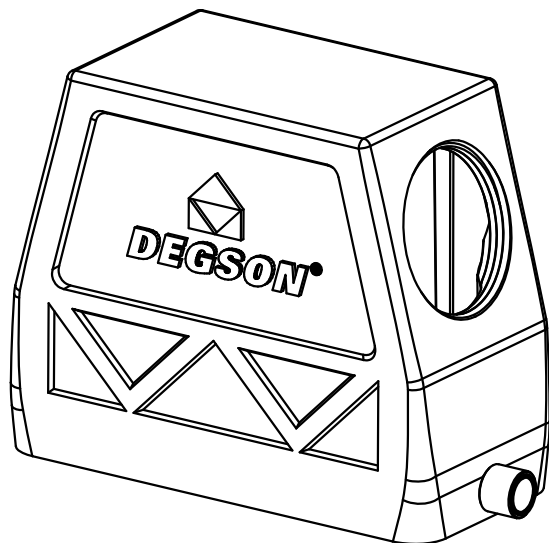


TYPE	Thread(D1)	Selection
D16B-SEH-2g-M32	M32	
D16B-SEH-2g-M40	M40	
D16B-SEH-2g-PG21	PG21	
D16B-SEH-2g-PG29	PG29	

REVISION RECORD				
REV	ECN	DESCRIPTION	DRFT	DATE



Hoods Feature

1. Material: aluminium die-cast
2. Surface: Powder-coated
3. Color: grey (RAL 7037)
4. Limiting temperatures: -40°C ~ +125°C
5. Flammability acc to UL94:V0
6. Degree of protection acc.to EN60529 for coupled connector :IP65
7. Rohs compliance

DETACHED LISTS	PART NO.: /	宁波高松电子有限公司 NINGBO DEGSON ELECTRICAL CO., LTD		
	APPD:	NAME: D16B-SEH-2g-M/PG		
	CHKD:	TITLE: CUSTOMER DRAWING		
	DRFT: Mr.Yang 2016.08.08	DRAWING NO.: /	REV	D0-1
THIRD ANGLE PROJECTION		MM (INCH)	DO NOT SCALE DRAWING	SHEET 1/1
			SCALE	1:1