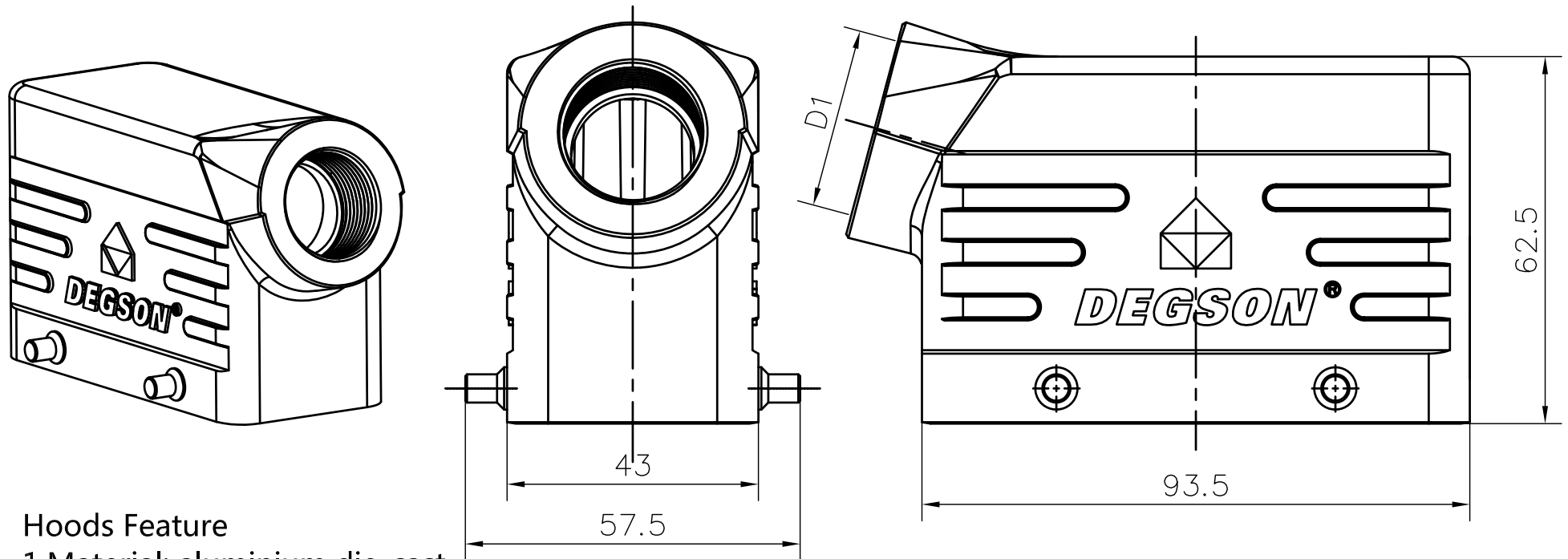


TYPE	Thread(D1)	Selection
D16B-SE-4g-M25	M25	
D16B-SE-4g-M32	M32	
D16B-SE-4g-PG21	PG21	

REVISION RECORD				
REV	ECN	DESCRIPTION	DRFT	DATE



**Hoods Feature**

1. Material: aluminium die-cast
2. Surface: Powder-coated
3. Color: grey (RAL 7037)
4. Limiting temperatures: -40°C ~ +125°C
5. Flammability acc to UL94:V0
6. Degree of protection acc.to EN60529 for coupled connector :IP65
7. Rohs compliance

DETACHED LISTS	PART NO.: /	宁波高松电子有限公司 NINGBO DEGSON ELECTRICAL CO., LTD		
	APPD: Huang JS 2019.05.10	NAME: D16B-SE-4g-M/PG		
	CHKD: Yang SH 2019.05.10	TITLE: CUSTOMER DRAWING		
	DRFT: Lu JK 2019.05.10	DRAWING NO.:	REV	DO
THIRD ANGLE PROJECTION		MM (INCH)	DO NOT SCALE DRAWING	SCALE 1:1