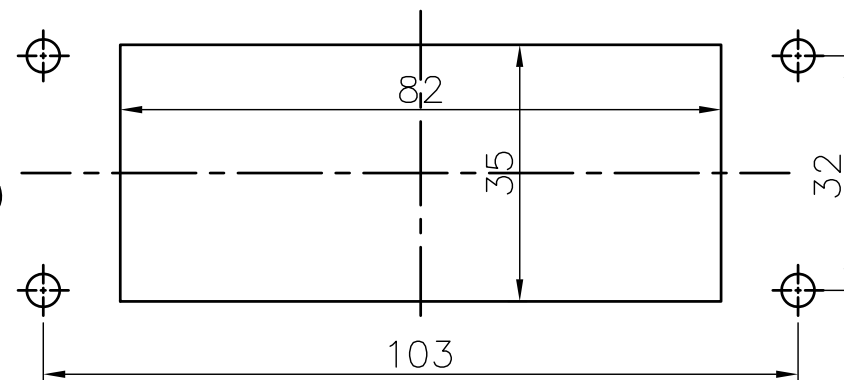
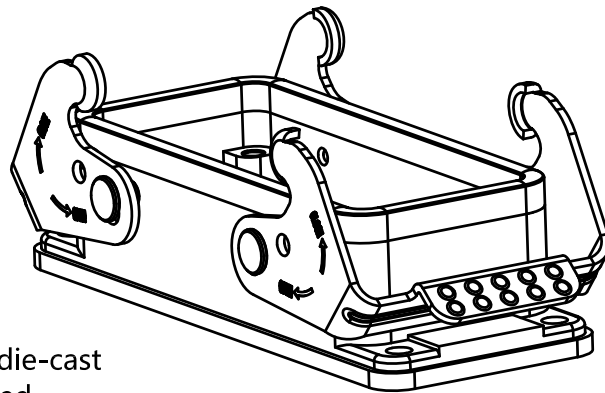
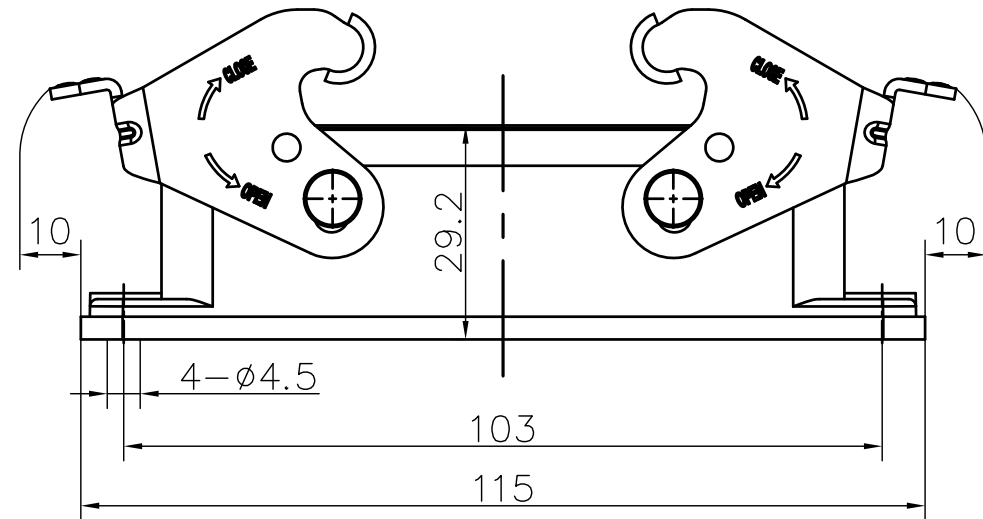
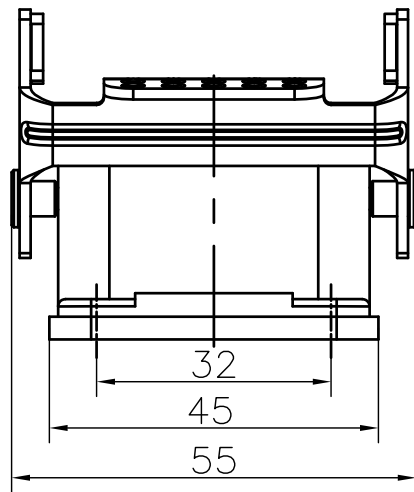



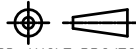

REVISION RECORD				
REV	ECN	DESCRIPTION	DRFT	DATE



Panel cut out

Housings Feature

1. Material: aluminium die-cast
2. Surface: Powder-coated
3. Color: grey(RAL 7037)
4. Material: Metal (Lever)
5. Sealing: NBR
6. Limiting temperatures: -40°C ~ +125°C
7. Flammability acc to UL94:V0
8. Degree of protection acc.to EN60529 for coupled connector :IP65
9. Rohs compliance

DETACHED LISTS	PART NO.: /		 宁波高松电子有限公司 NINGBO DEGSON ELECTRICAL CO., LTD		
	APPD: Huang JS 2020.05.08		NAME: D16B-BK-2L		
	CHKD: Yang SH 2020.05.08		TITLE: CUSTOMER DRAWING		
	DRFT: Lu JK 2020.05.08		REV	DO	
 THIRD ANGLE PROJECTION		DRAWING NO.:		SHEET	1/1
		 DO NOT SCALE DRAWING		SCALE	1:1