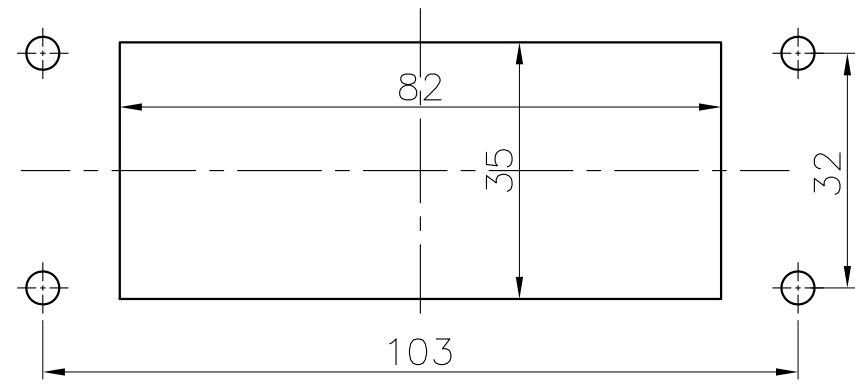
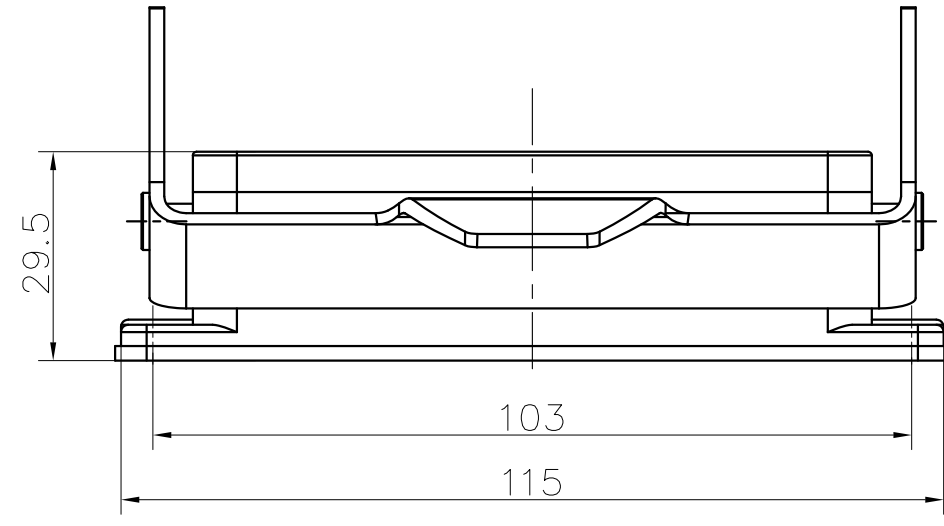
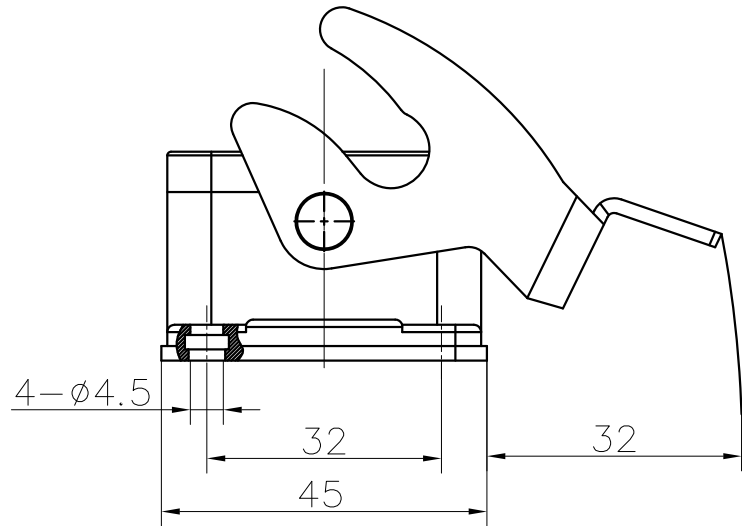


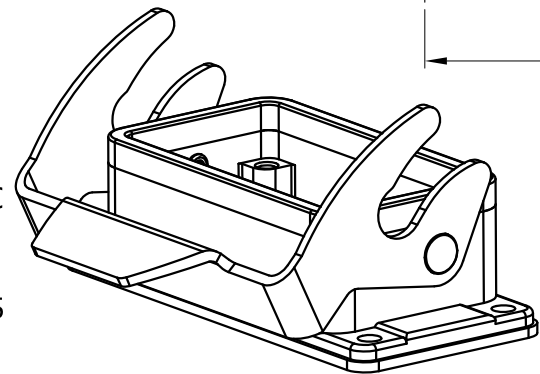
REVISION RECORD				
REV	ECN	DESCRIPTION	DRFT	DATE


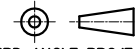


Panel cut out

Housings Feature

1. Material: aluminium die-cast
2. Surface: Powder-coated
3. Color: grey(RAL 7037)
4. Material: Metal(Lever)
5. Sealing: NBR
6. Limiting temperatures: -40°C ~ +125°C
7. Flammability acc to UL94:V0
8. Degree of protection acc.to EN60529 for coupled connector :IP65
9. Rohs compliance



DETACHED LISTS	PART NO.:	/	 宁波高松电子有限公司 NINGBO DEGSON ELECTRICAL CO., LTD		
	APPD:		NAME: D16B-BK-1L		
	CHKD:		TITLE: CUSTOMER DRAWING		
	DRFT: Mr.yang 2017.06.28		REV	D0-1	
 THIRD ANGLE PROJECTION		DRAWING NO.:	SHEET	1/1	
		MM (INCH)	DO NOT SCALE DRAWING	SCALE	1:1