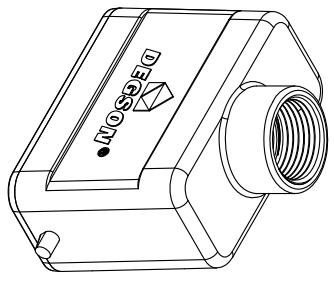
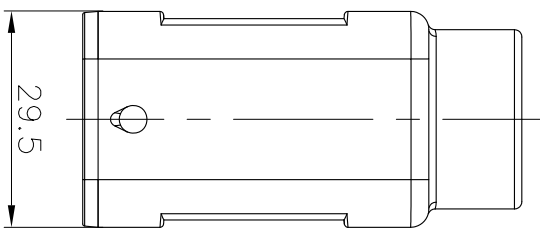
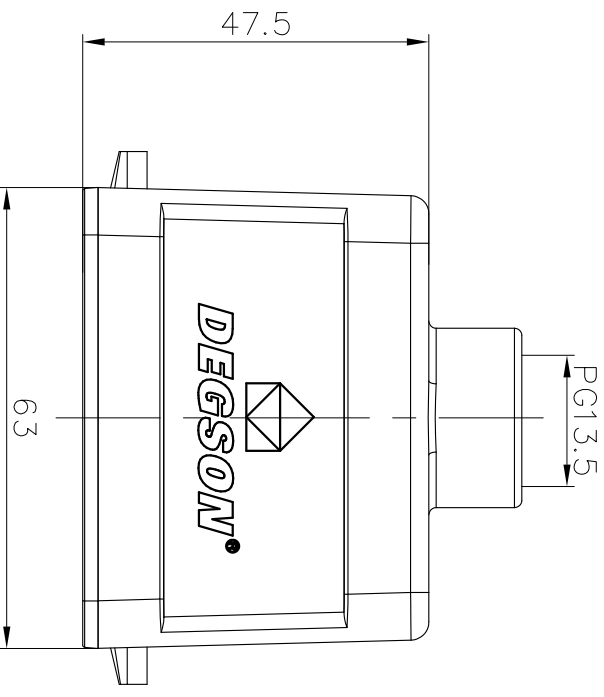



REVISION RECORD				
REV	ECN	DESCRIPTION	DRFT	DATE



Hoods Feature

1. Material: Aluminium die-cast
2. Color: grey (RAL 7037)
3. Limiting temperatures: -40°C ~ +125°C
4. Flammability acc to UL94:V0
5. Degree of protection acc. to EN60529 for coupled connector: IP65
6. Rohs Compliance

DETACHED LISTS			
PART NO.:	 NINGBO DEGSON ELECTRICAL CO., LTD 宁波高松电子有限公司		
APPD:	NAME: D10A-TE-2g-PG13.5		
CHKD:	TITLE: CUSTOMER DRAWING		
DRFT:	DRAWING NO.: D10A-TE-2g-PG13.5-ED1	REV	DO-1
THIRD ANGLE PROJECTION	SCALE	SHEET	1/1
	DO NOT SCALE DRAWING	SCALE	1.5:1

A 8 7 6 5 4 3 2 1