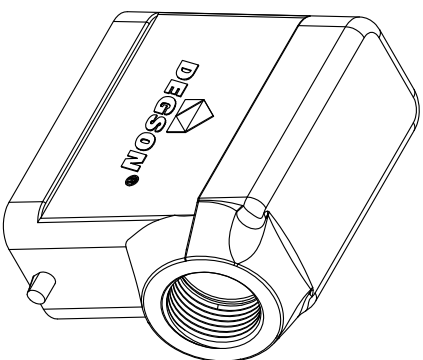
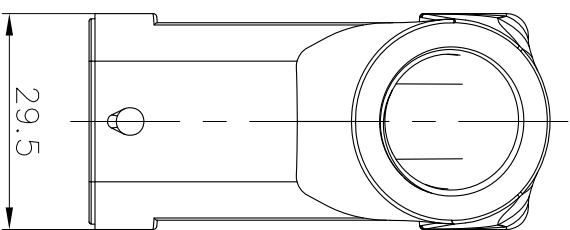
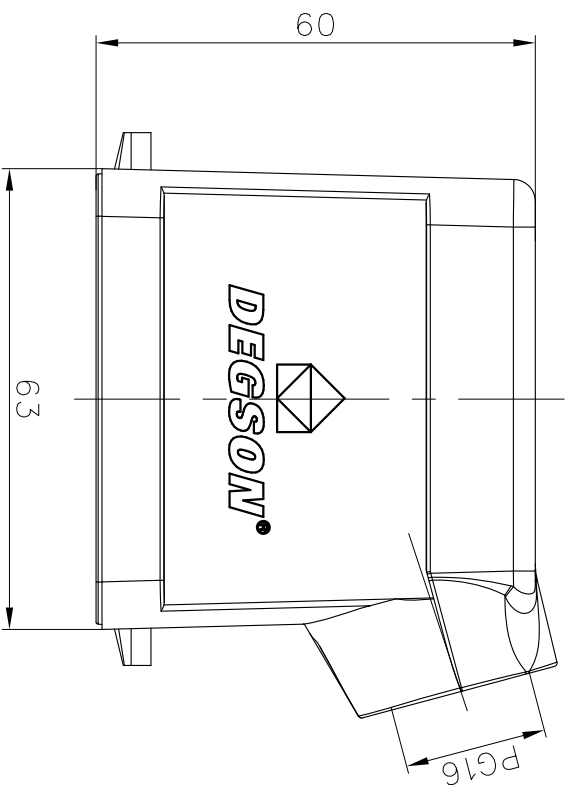


REVISION RECORD				
REV	ECN	DESCRIPTION	DRFT	DATE



Hoods Feature

1. Material: Aluminium die-cast
2. Color: grey (RAL 7037)
3. Limiting temperatures: -40°C ~ +125°C
4. Flammability acc to UL94: V0
5. Degree of protection acc. to EN60529 for coupled connector: IP65
6. Rohs Compliance

DETACHED LISTS			
PART NO.:	DEGSON NINGBO DEGSON ELECTRICAL CO., LTD 宁波高松电子有限公司	NAME:	D10A-SE-2g-PG16
APPD:		TITLE:	CUSTOMER DRAWING
CHKD:		DRAWING NO.:	D10A-SE-2g-PG16-E01
DRFT:		REV	DO-1
THIRD ANGLE PROJECTION		DO NOT SCALE DRAWING	SCALE
		1:1	1.5:1