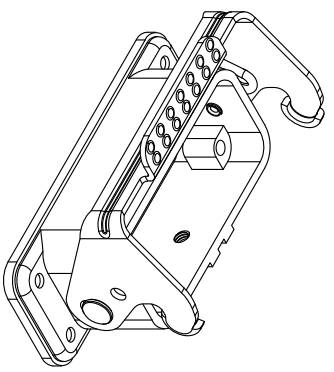
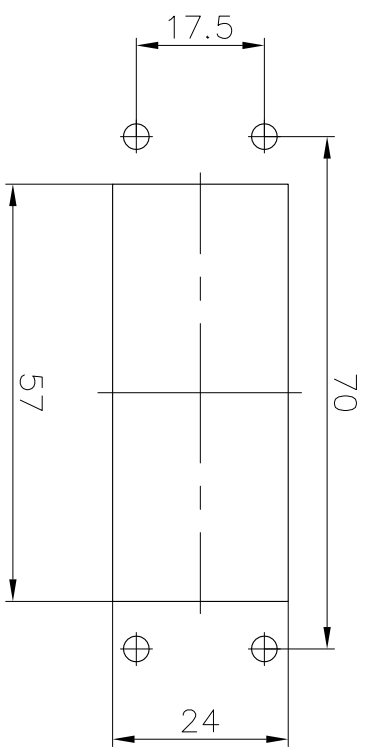
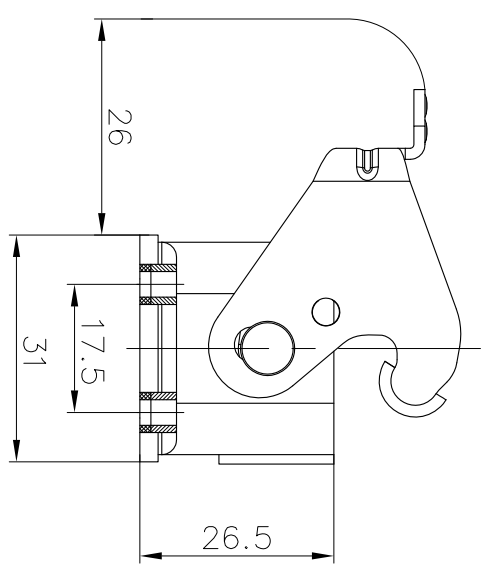
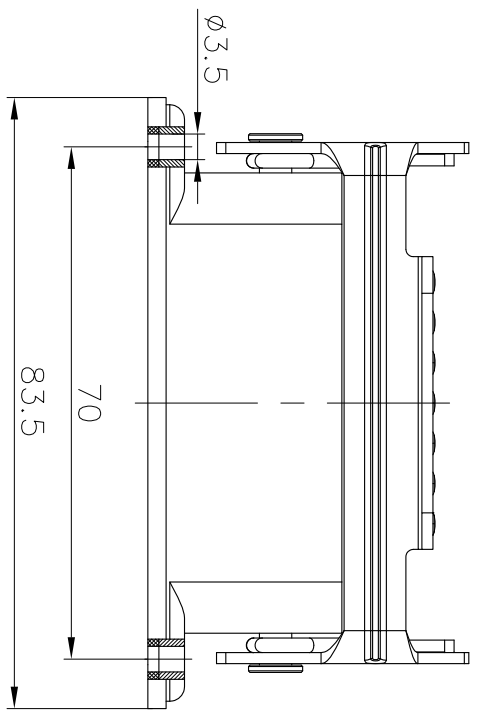




REVISION RECORD				
REV	ECN	DESCRIPTION	DRFT	DATE



- Housings Feature
1. Material: Aluminium die-cast
  2. Color: grey (RAL 7037)
  3. Limiting temperatures: -40°C ~ +125°C
  4. Housings sealing: NBR
  5. Flammability acc to UL94: V0
  6. Degree of protection acc. to EN60529 for coupled connector: IP65
  7. Rohs Compliance

DETACHED LISTS				
PART NO.:	D10A-BK-1L			
NAME:	 NINGBO DEGSON ELECTRICAL CO., LTD 宁波高松电子有限公司			
APPD:	CUSTOMER DRAWING			
CHKD:	DRAWING NO.: D10A-BK-1L-E01			
DRFT:	DO NOT SCALE DRAWING			
THIRD ANGLE PROJECTION	 THIRD ANGLE PROJECTION			
REV	DO-1	SHEET	1/1	SCALE
				1.5:1

A 8 7 6 5 4 3 2 1