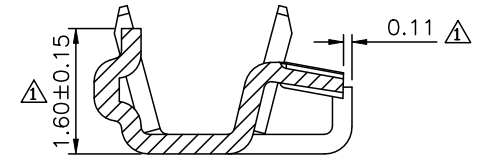
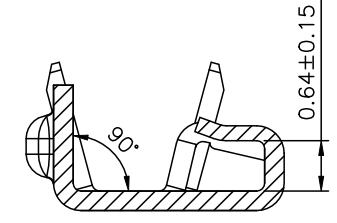


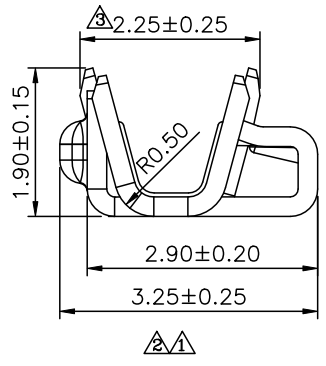
△ SPECIFICATION
 Material: Phosphor Bronze, Tin Plated Over Nickel
 (Bechics Clash After Plated)
 Wire Range: AWG#22~#26
 Insulation OD: 1.50mm
 Q'ty: 10000 PCS/Reel
 RoHS Compliant



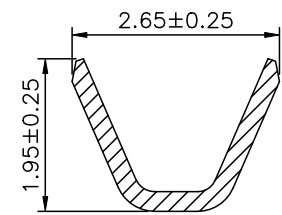
△ Section C-C



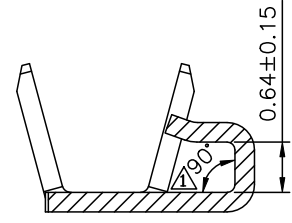
△△ Section D-D



△△



Section A-A



△ Section B-B

AUK A MEMBER OF AUK GROUP
太聯事業股份有限公司
AUK CONTRACTORS CO., LTD.

CATEGORY		APPROVED BY		UNLESS OTHERWISE SPECIFIED TOLERANCES ARE △ .XX ±0.25 △ .XX ±0.20 △ .XX ±0.10 △ .XX ±1°				
PART No. △ CTT-R10K-H		MEI			△ A3	Modify P/N: CTT-H → CTT-R10K-H	HZF	12/02/2017
DRAWING No. CTT-R10K-H		HZF			△ A2	Modify Data	HZF	07/18/2013
SCALE NONE		CYP			△ A1	Modify Data	HZF	08/10/2010
REV.	A3	UNIT mm	NO. REV.		REVISIONS		CHK	DATE