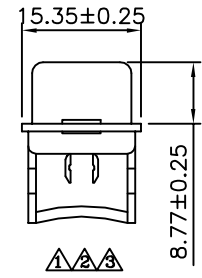
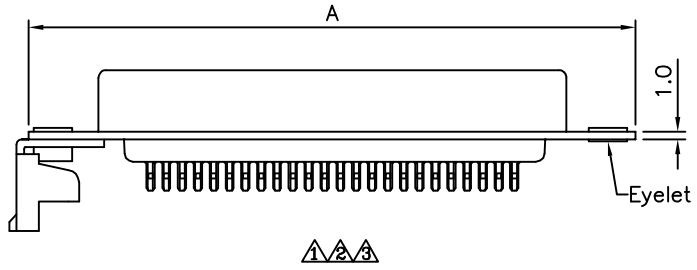


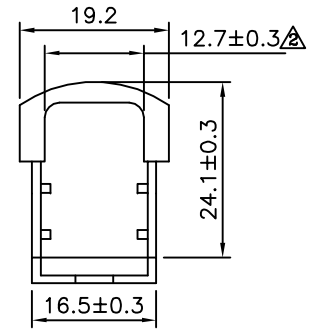
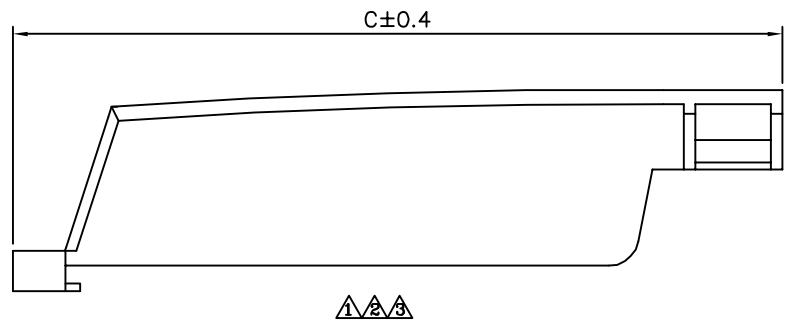
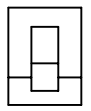
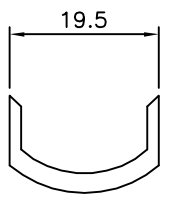
**△△△ SPECIFICATION**

Current Rating:5 Amp  
 Dielectric Strength:1000V For 1 Minute  
 Insulation Resistance:1000 Megaohms Min.  
 At 500V DC  
 Temperature Range:-55°C~+105°C  
 Insulator:PBT+G.F.(UL94V-0),Blue  
 △ Contact:Brass,Gold Plated Over Nickel  
 Shell:Steel,Nickel Plated  
 Plastic Cover:ABS,Black  
 △ Screw:Steel,Nickel Plated Over Copper  
 RoHS Compliant



△ C S L XX P K - H  
 (1) (2) (3) (4) (5) (6) (7)

- (1) C:Centronic Connector
- (2) S:Solder Wire
- (3) L:With Low Profile Plastic Hook
- (4) XX:No. Of Position
- (5) P:Male
- (6) K:Black Plastic Hook
- (7) H:RoHS Compliant



△△△	Pin	A	B	C
	36	67.7	59.7	90.1
	50	82.8	74.9	103.7

**AUK** A MEMBER OF AUK GROUP  
**太聯事業股份有限公司**  
**AUK CONTRACTORS CO., LTD.**

CATEGORY		APPROVED BY		UNLESS OTHERWISE SPECIFIED TOLERANCES ARE △△△ X. ±0.30 △△△ .X ±0.25 △△△ .XX ±0.15 ANG. ±3.0°
PART No. CSLXXPK-H		EMILY		
DRAWING No. CSLXXPK-H		CHECKED BY HZF		
SCALE NONE		DRAWING BY CYP		
REV.	B3	UNIT mm		

NO.	REV.	REVISIONS	CHK	DATE
△	B3	Modify Data	HZF	09/14/2015
△	B2	Modify Data	HZF	05/02/2013
△	B1	Modify Data	HZF	09/14/2010
△	B0	NEW RELEASE	BECKY	09/23/2005