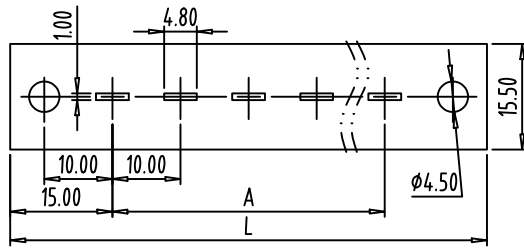
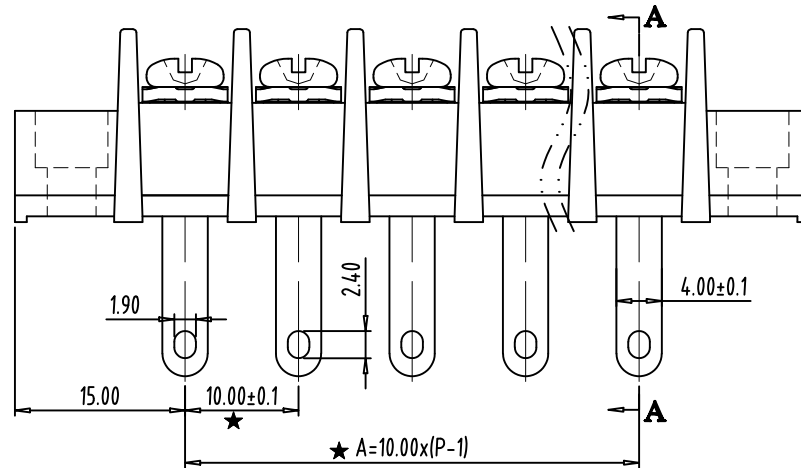
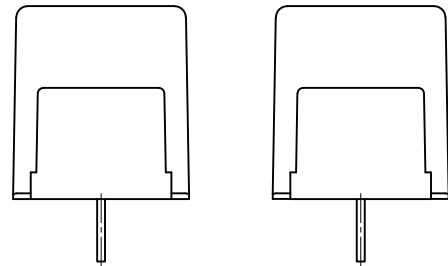
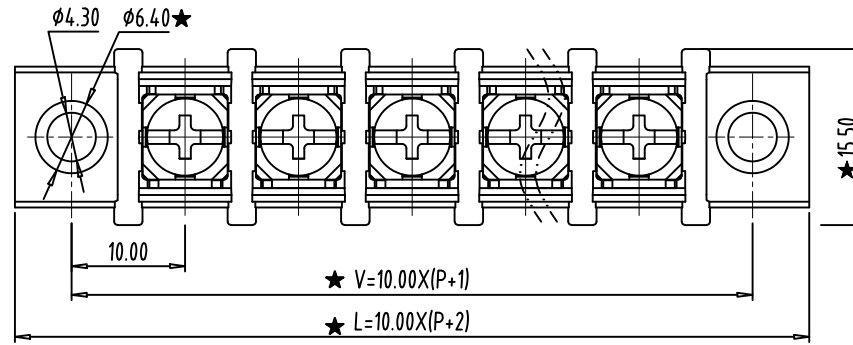


REV	CONTENT	CHK	DATE
V0.0	CONTENT	SK	2014-08-11



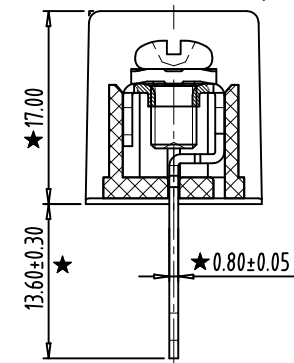
PCB LAYOUT



NOTES:

1. Rating:300V 30A;
2. Insulation Withstands Voltage: AC2000V/MIN
3. Insulation Resistance:
500MΩ or more at DC500V
4. Using Temperature Range: -40°C/+105°C
5. Screw Torque Value:1.2N.m
6. Suitable Electric Wire: 12-22AWG
- 7, "★" the important dimension.

Factory: Xiamen Fucon IMP&EXP CO.,LTD
 Part No.: CM-55HM-A-XXP
 CM-55H- series
 M - crew side modification
 A - pin type
 XXP - number of Pins (from 2 to 24)



SECTION:A-A

Total Pitch Tolerances in mm										Nominal dimension range in mm										⊥		≡		-		//			
over 0	over 30	over 53	over 70	over 90	over 115	over 150	over 250	over 350	over 500	over 0	over 30	over 53	over 70	over 90	over 115	over 150	over 200	over 250	over 320	over 0	over 10	over 0	over 100	over 0	over 100	over 0	over 100		
to 30	to 53	to 70	to 90	to 115	to 150	to 250	to 350	to 500	to 500	to 30	to 53	to 70	to 90	to 115	to 150	to 200	to 250	to 320	to 320	to 10	to 10	to 100	to 150	to 0.2	to 0.3	to 0.2	to 0.3	to 0.2	to 0.3
±0.18	±0.20	±0.25	±0.3	±0.35	±0.44	±0.60	±0.70	±0.85	±0.20	±0.25	±0.30	±0.35	±0.44	±0.55	±0.70	±0.80	±0.90	0.2	0.3	0.3	0.3	0.2	0.3	0.2	0.3	0.2	0.3	0.5	

ITEM	NAME OF PART	NO. OF PART	Q"TY	MATERIAL	NOTE
DWG.	SK	DATE	2014-08-11	SIZE	A4 UNITS mm SHEET/OF 1 / 1
CHK.		DATE		SCALE	1.5:1
APP.		DATE		NAME	CM-55HM-A-XXP
				DWGNO.	

Xiamen Fucon Electronics Co.,LTD