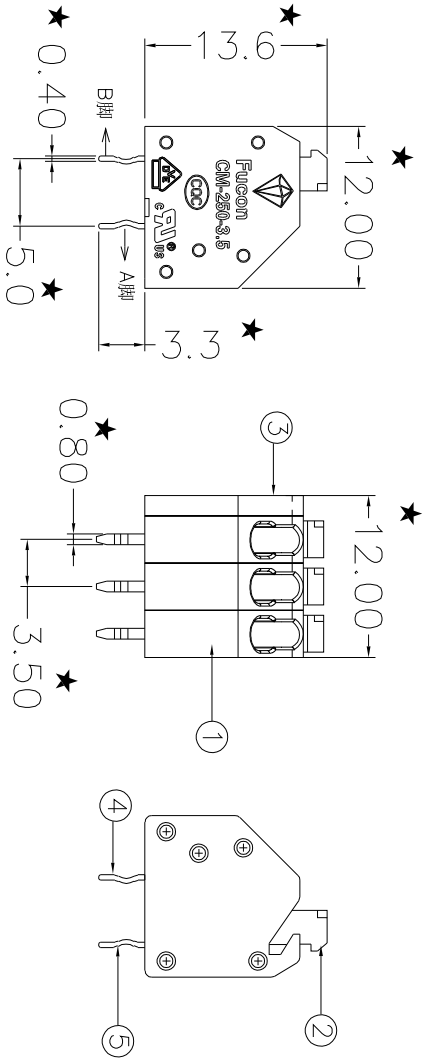


未注公差/General tolerances(mm)	
>0	>3
~	>6
3	~
6	~
10	~
18	~
30	~
50	~
80	~
120	~
180	~
250	~
315	~
400	~
500	~
>500	~
	0.1/10
	±2°

符号/SIGN	描述/DESCRIPTION	修订者/DRAWN	日期/DATE

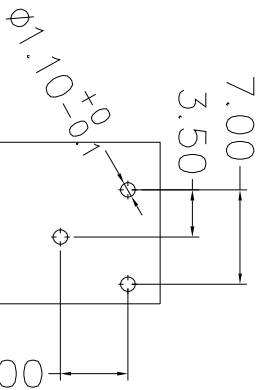
Factory: Xiamen Fucan IMP&EXP CO.,LTD  
 Part No.: CM-250-3.5-3B GREY  
 CM-250 - series of push wire connector (electrical terminal block for soldering to PCB)  
 3.5 - pitch 3.5 mm  
 3P - number of Pins (3 Pins)  
 B - pins pitch modification  
 GREY - grey plastic color



技术参数 Technical parameter:

● 产品标准/Rated Voltage	UL1059	IEC60947	GB13140	IEC60998
● 获得安规及标志 Access to Safety Mark	<b>cFUS</b>			
● 证书号码/Certificate No	E338959	40037257	CCC110 03061310	J5050 37200001
● 额定电压/Rated Voltage	300V	450V	450V	450V
● 额定电流/Rated Current	7A	5A		9A
● 线径范围/Wire range		0.5~1.5mm <sup>2</sup>	0.5~1.5mm <sup>2</sup>	0.34~1.5mm <sup>2</sup>
● 硬质导线/Solid wire(AWG)	24-16			
● 软质导线/Stranded wire(AWG)	24-16			
● 剥线长度/Wire strip length	8mm	8mm	8mm	8mm
● 绝缘耐压/Withstanding Voltage	1600V	2200V	2500V	2500V
● 温度范围/Operating temperature		-40°~+120°		
● 焊接温度/Soldering temperature		260°C±5°C/5Sec		
● 关键尺寸/Critical dimension				★

PCB LAYOUT  
 TOLERANCE: ±0.05



ITEM 序号	NAME OF PART 零件名称	Material 材料	NOTES 备注	QTY 用量
⑤	B脚/B Pin	铜/Copper Alloy	锡/Sn plated	2
④	A脚/A Pin	铜/Copper Alloy	锡/Sn plated	1
③	盖板/Cover	尼龙/PA66	UL94-V0	1
②	按钮/Button	尼龙/PA66	UL94-V0	3
①	主体/Housing	尼龙/PA66	UL94-V0	3

	CAT NO./认证型号	CM-250-3.5	SHEET: 1/1
	PATE NO./成品料号	02.04.003.0037	SCALE: 1:1
	CUST NO./客户料号	/	REV.: A01
	APPROVED/审批	何跃雄 2021.12.15	MODEL: CM-250-3.5-3B 灰色
	CHECKED/核准	胡德权 2021.12.15	
	DRAWN/制图	陈燕龙 2021.12.15	DRAWING NO./图号: CM-250-3.5-037
	SIZE: A4	mm	TYPE/图纸类型: CUSTOMER_DRAWING