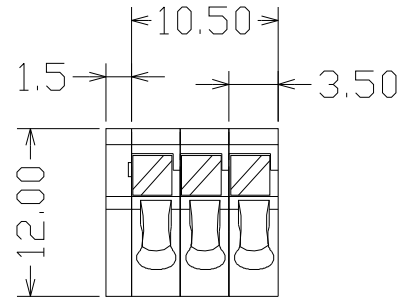
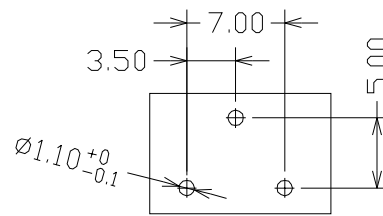
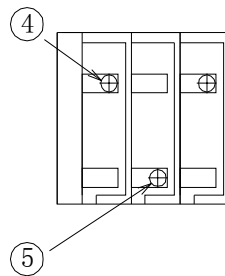
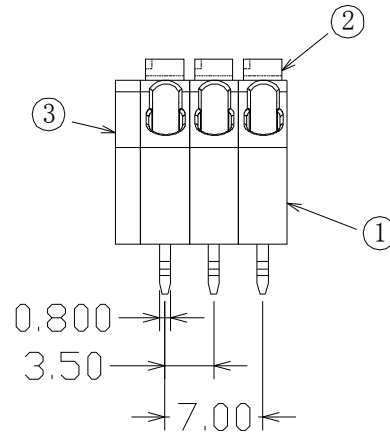
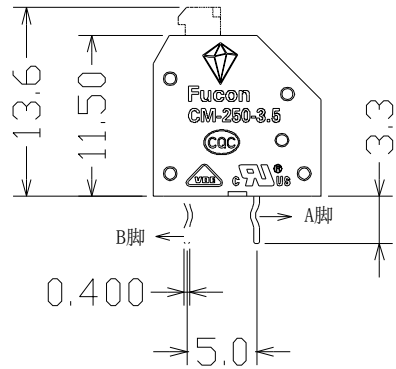


客户图

版次	修订描述	制图
△X0	新发行	TANG 2017/10/31
△A0	增加料号	YU 2018/03/31



Factory: Xiamen Fucon IMP&EXP CO.,LTD
 Part No.: CM-250-3.5-3A GREY
 CM-250 - series of push wire connector (electrical terminal block for soldering to PCB)
 3.5 - pitch 3.5 mm
 3P - number of Pins (3 Pins)
 A - pins pitch modification
 GREY - grey plastic color



PCB LAYOUT
 TOLERANCE: ±0.05

技术参数 Technical parameter:

● 产品标准/Rated Voltage	UL1059	IEC60947	GB13140	IEC60998
● 获得安规及标志 Access to Safety Mark				
● 证书号码/Certificate No	E338959	40037257	CQC110 03061310	J5050 37200001
● 额定电压/Rated Voltage	300V	450V	450V	450V
● 额定电流/Rated Current	7A	5A		9A
● 线径范围/Wire range		0.5~1.5mm ²	0.5~1.5mm ²	0.34~1.5mm ²
● 硬质导线/Solid wire(AWG)	24-16			
● 软质导线/Stranded wire(AWG)	24-16			
● 剥线长度/Wire strip length	8mm	8mm	8mm	8mm
● 绝缘耐压/Withstanding Voltage	1600V	2200V	2500V	2500V
● 温度范围/Operating temperature	-40℃~120℃			
● 焊接温度/Soldering temperature	260?±5?/5Sec			
● 关键尺寸/Critical dimension	★			

⑤	B脚	铜 镀锡	/	1
④	A脚	铜 镀锡	/	2
③	盖板	PA	灰色	1
②	按钮	PA	灰色	3
①	主座	PA	灰色	3
序号	名称	描述	颜色	用量

	CAT NO./认证型号	CM-250-3.5	SHEET: 1/1
	PATE NO./成品料号	02.04.003.0xxx	SCALE: 1:1
	CUST NO./客户料号	/	REV.: A01
APPROVED/审批	何跃雄 2021.12.15	MODEL:	CM-250-3.5-3A
CHECKED/核准	胡德权 2021.12.15	DRAWING NO./图号:	
DRAWN/制图	陈燕龙 2021.12.15	TYPE/图纸类型:	CUSTOMER_DRAWING
	SIZE: A4		