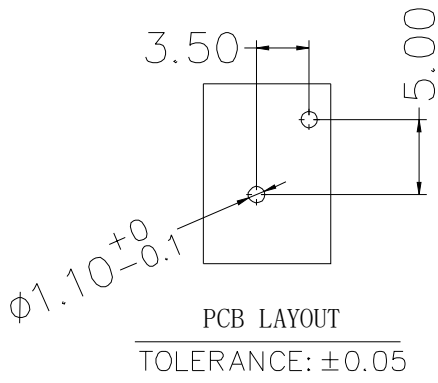
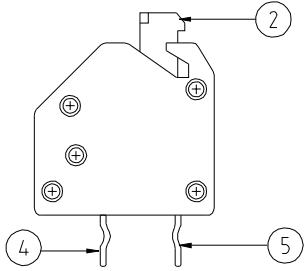
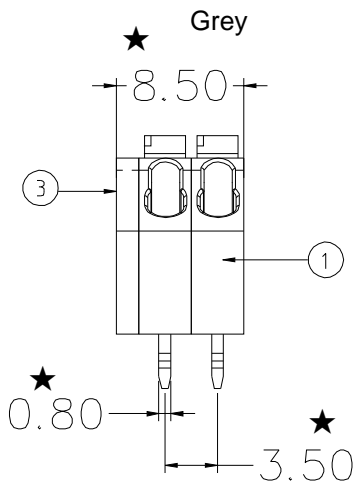
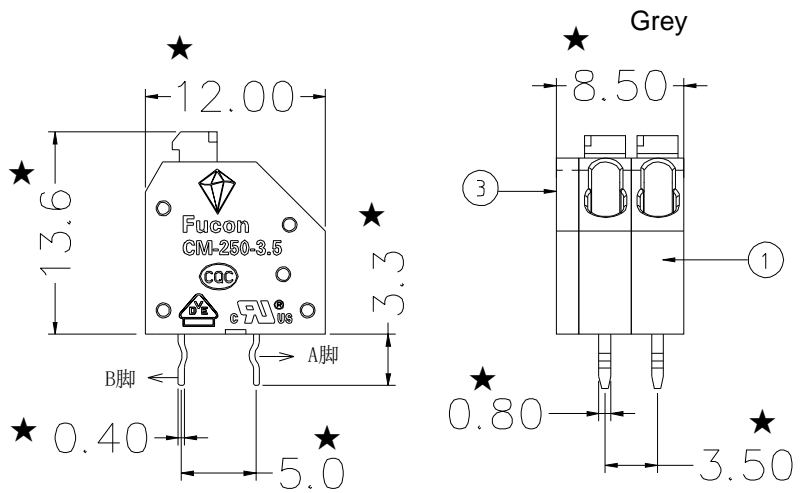


未注公差/General tolerances(mm)												
>0	>3	>6	>10	>18	>30	>50	>80	>120	>180	>250	>315	>400
~3	~6	~10	~18	~30	~50	~80	~120	~180	~250	~315	~400	~500
±0.15	±0.20	±0.25	±0.30	±0.35	±0.40	±0.60	±0.80	±0.95	±1.00	±1.20	±1.60	±2.20

5	6	7	8
符号/SIGN	描述/DESCRIPTION	修订者/DRAWN	日期/DATE



Factory: Xiamen Fucon IMP&EXP CO.,LTD  
 Part No.: CM-250-3.5-2A GREY  
 CM-250 - series of push wire connector (electrical terminal block for soldering to PCB)  
 3.5 - pitch 3.5 mm  
 2 - number of Pins (2 Pins)  
 A - pins pitch modification  
 GREY - grey plastic color

技术参数 Technical parameter:

● 产品标准/Rated Voltage	UL1059	IEC60947	GB13140	IEC60998
● 获得安规及标志 Access to Safety Mark				
● 证书号码/Certificate No	E338959	40037257	CQC110 03061310	J5050 37200001
● 额定电压/Rated Voltage	300V	450V	450V	450V
● 额定电流/Rated Current	7A	5A		9A
● 线径范围/Wire range		0.5~1.5mm <sup>2</sup>	0.5~1.5mm <sup>2</sup>	0.34~1.5mm <sup>2</sup>
● 硬质导线/Solid wire(AWG)	24-16			
● 软质导线/Stranded wire(AWG)	24-16			
● 剥线长度/Wire strip length	8mm	8mm	8mm	8mm
● 绝缘耐压/Withstanding Voltage	1600V	2200V	2500V	2500V
● 温度范围/Operating temperature	-40℃~120℃			
● 焊接温度/Soldering temperature	260?±5?/5Sec			
● 关键尺寸/Critical dimension	★			

⑤	B脚/B Pin	铜/Copper Alloy	锡/Sn plated	1
④	A脚/A Pin	铜/Copper Alloy	锡/Sn plated	1
③	盖板/Cover	尼龙/PA66	UL94-V0	1
②	按钮/Button	尼龙/PA66	UL94-V0	2
①	主座/Housing	尼龙/PA66	UL94-V0	2
ITEM 序号	NAME OF PART 部件名称	Material 材料	NOTES 备注	QTY 用量

 APPROVED/审批 CHECKED/核准 DRAWN/制图 SIZE: A4	CAT NO./认证型号	CM-250-3.5	SHEET: 1/1
	PATE NO./成品料号	02.04.003.0xxx	SCALE: 1:1
	CUST NO./客户料号	/	REV.: A01
	MODEL:	CM-250-3.5-2A	
	何跃雄 2021.12.15	DRAWING NO./图号:CM-250-3.5-xxx	
	胡德权 2021.12.15	TYPE/图纸类型: CUSTOMER_DRAWING	
	陈燕龙 2021.12.15		
	mm (inch)		