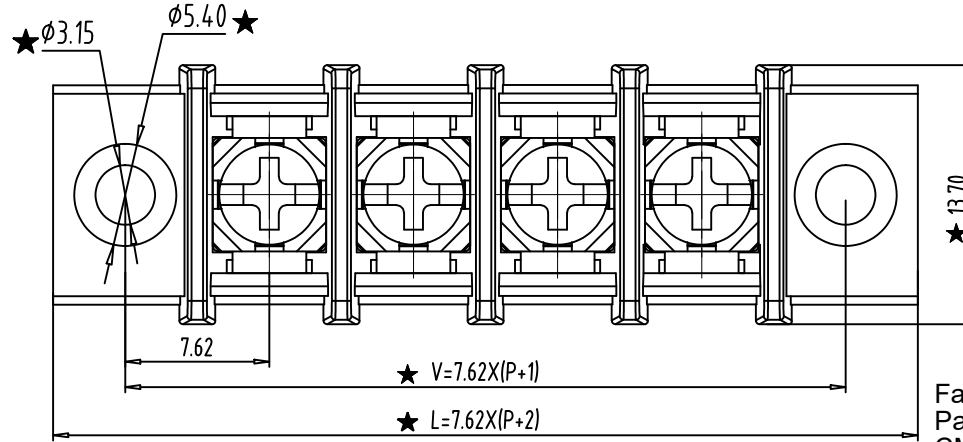


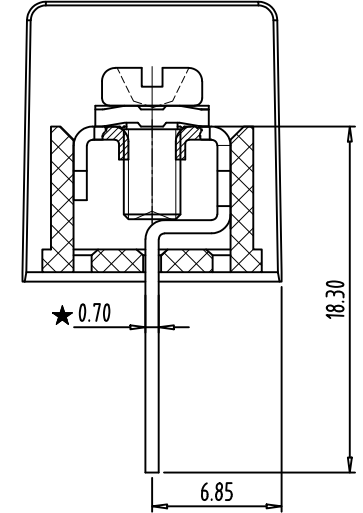
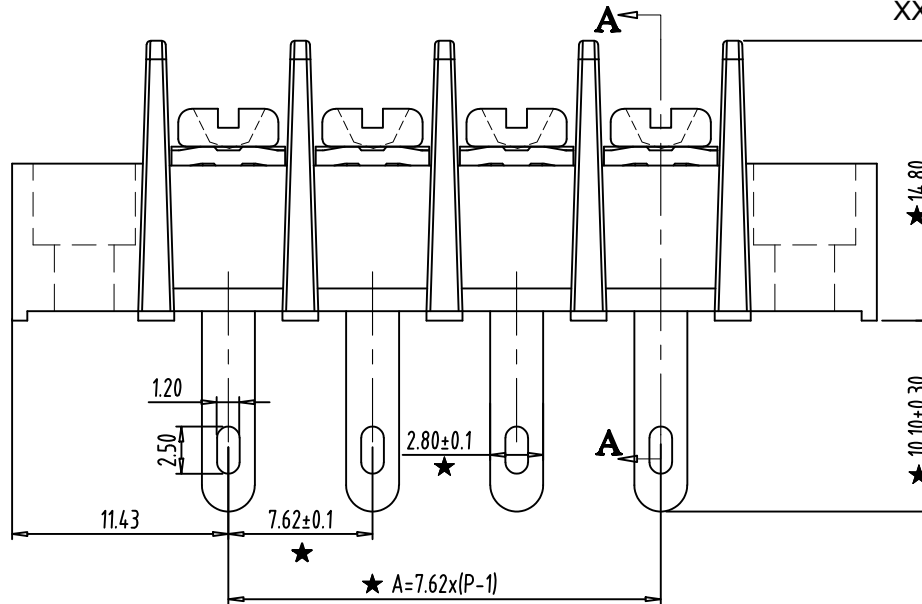
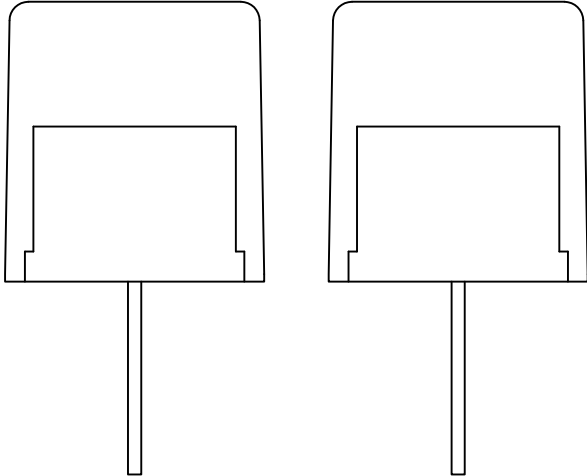
PCB LAYOUT



NOTES:

1. Rating: 300V 20A;
2. Insulation Withstands Voltage: AC2000V/MIN
3. Insulation Resistance: 500MΩ or more at DC500V
4. Using Temperature Range: -40°C/+105°C
5. Screw Torque Value: 0.6N.m
6. Suitable Electric Wire: 14-22AWG
7. "★" the important dimension.

Factory: Xiamen Fucon IMP&EXP CO.,LTD
Part No.: CM-25HM-A-XXP
CM-25H- series
M - crew side modification
A - pin type
XXP - number of Pins (from 2 to 24)



SECTION: A-A

Total Pitch Tolerances in mm										Nominal dimension range in mm										⊥	≡	-	//		
over 0	over 30	over 53	over 70	over 90	over 115	over 150	over 250	over 350	over 500	over 0	over 30	over 53	over 70	over 90	over 115	over 150	over 200	over 250	over 320	over 0	over 10	all	over 0	over 100	over 150
to 30	to 53	to 70	to 90	to 115	to 150	to 250	to 350	to 500	to 500	to 30	to 53	to 70	to 90	to 115	to 150	to 200	to 250	to 320	to 10	to 10	to 100	to 150	to 100	to 150	to 150
±0.18	±0.20	±0.25	±0.3	±0.35	±0.44	±0.60	±0.70	±0.85	±0.20	±0.25	±0.30	±0.30	±0.35	±0.44	±0.55	±0.70	±0.80	±0.90	0.2	0.3	0.3	0.3	0.2	0.3	0.5

ITEM	NAME OF PART		NO. OF PART	Q'TY	MATERIAL			NOTE		
DWG.	ZX	DATE	2020.05.15	SIZE	A4	UNITS	mm	SHEET/OF	1 / 1	
CHK.		DATE		SCALE	2.5:1					
APP		DATE								
Xiamen Fucon Electronics Co.,LTD								NAME		CM-25HM-A-XXP
								DWGNO.		