

未注公差/General tolerances(mm)														
>0	>3	>6	>10	>18	>30	>50	>80	>120	>180	>250	>315	>400	>500	0.1/10
3	6	10	18	30	50	80	120	180	250	315	400	500		
±0.15	±0.20	±0.25	±0.30	±0.35	±0.40	±0.60	±0.80	±0.95	±1.00	±1.20	±1.60	±2.20	±2.50	±2℃

5	6	7	8
符号/SIGN	描述/DESCRIPTION	修订者/DRAWN	日期/DATE

A

A

B

B

C

C

D

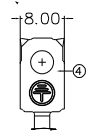
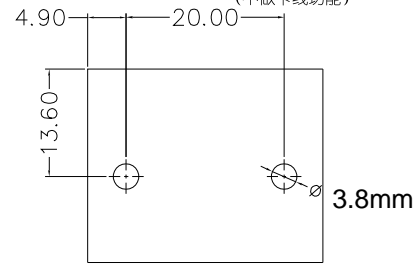
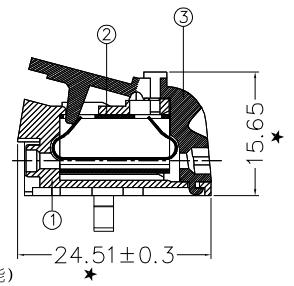
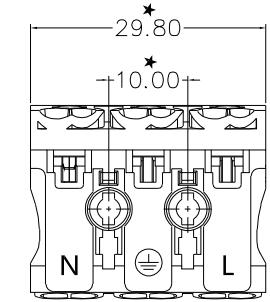
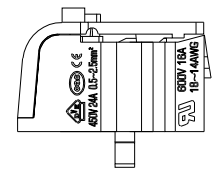
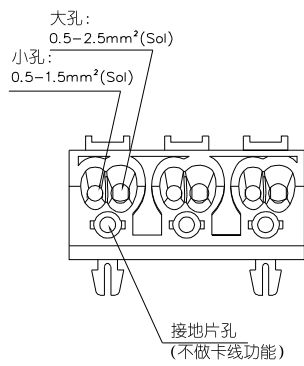
D

E

E

F

F



Ground plate

Factory: Xiamen Fucon IMP.&EXP. CO.,LTD

Part No.: CM-238-T-D-3P
CM-238 - series of push wire connector (electrical terminal block)
T-D - no value
3P - number of Pins (3 Pins)

技术参数 Technical parameter:

● 产品标准/Rated Voltage	UL1059	IEC60998	GB13140	IEC60998
● 获得安规及标志 ● Access to Safety Mark				
● 证书号码/Certificate No	E338959	40041279	CQC190 03226724	AQ5050 33330001
● 额定电压/Rated Voltage	600V	450V	450V	450V
● 额定电流/Rated Current	16A	24A		24A
● 线径范围/Wire range		0.5~2.5mm ²	0.5~2.5mm ²	0.5~2.5mm ²
● 大孔导线/Sol (Line-bigger hole)	18-14	0.5~2.5mm ²		
● 小孔导线/Sol (Line-smaller hole)	18-16	0.5~1.5mm ²		
● 剥线长度/Wire strip length	8-9mm	8-9mm	8-9mm	8-9mm
● 绝缘耐压/Withstanding Voltage	2200V	2500V	2500V	2500V
● 温度范围/Operating temperature	-40℃~120℃			
● 焊接温度/Soldering temperature	/			
● 关键尺寸/Critical dimension	★			

ITEM 序号	NAME OF PART 部件名称	Material 材料	NOTES 备注	QTY 用量
③	端盖/Cover	尼龙/PA	白色	1
②	五金组件/Hardware components	铜+不锈钢/Copper Alloy+SUS301	镍/Ni plated	3
①	主座/Housing	尼龙/PA	白色	1

	CAT NO./认证型号	CM-238	SHEET: 1/1
	PATE NO./成品料号	02.01.005.0035	SCALE: 1:1
	CUST NO./客户料号	/	REV.: A01
APPROVED/审批	何跃雄 2021.12.15	MODEL:	CM-238-T-D-3P
CHECKED/核准	胡德权 2021.12.15		
DRAWN/制图	陈燕龙 2021.12.15	DRAWING NO./图号:CM-238-035	
SIZE: A4	mm (inch)	TYPE/图纸类型:CUSTOMER_DRAWING	

1 2 3 4 5 6 7 8