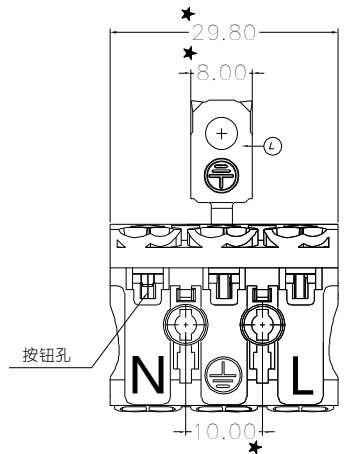


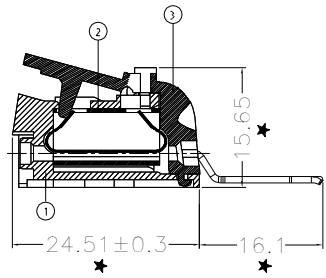
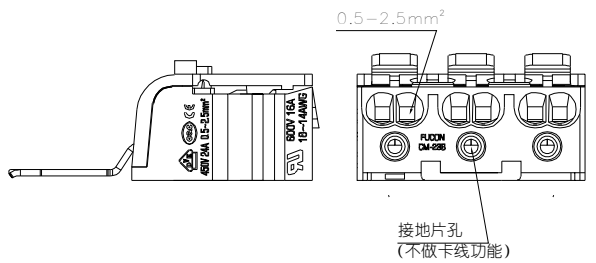
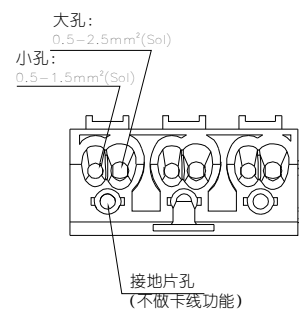
| 1 | | 2 | | 3 | | 4 | | 5 | | 6 | | 7 | | 8 | | | | | | | |
|-----------------------------|-------|-------|-------|-------|-------|-------|-------|-------|-------|-------|-------|-------|-------|---------|--|----------------|--|-----------|--|---------|--|
| 未注公差/General tolerances(mm) | | | | | | | | | | | | | | 符号/SIGN | | 描述/DESCRIPTION | | 修订者/DRAWN | | 日期/DATE | |
| >0 | >3 | >6 | >10 | >18 | >30 | >50 | >80 | >120 | >180 | >250 | >315 | >400 | >500 | 0.1/10 | | | | | | | |
| ~ | ~ | ~ | ~ | ~ | ~ | ~ | ~ | ~ | ~ | ~ | ~ | ~ | ~ | 0.1/10 | | | | | | | |
| 3 | 6 | 10 | 18 | 30 | 50 | 80 | 120 | 180 | 250 | 315 | 400 | 500 | | | | | | | | | |
| ±0.15 | ±0.20 | ±0.25 | ±0.30 | ±0.35 | ±0.40 | ±0.60 | ±0.80 | ±0.95 | ±1.00 | ±1.20 | ±1.60 | ±2.20 | ±2.50 | ±2 | | | | | | | |

| 5 | | 6 | | 7 | | 8 | |
|---------|--|----------------|--|-----------|--|---------|--|
| 符号/SIGN | | 描述/DESCRIPTION | | 修订者/DRAWN | | 日期/DATE | |
| | | | | | | | |



Factory: Xiamen Fucon IMP&EXP CO.,LTD

Part No.: CM-238-D-3P
CM-238 - series of push wire connector (electrical terminal block)
D - no value
3P - number of Pins (3 Pins)



技术参数 Technical parameter:

| | | | | |
|------------------------------------|-----------|------------|---------------------|--------------------|
| ● 产品标准/Rated Voltage | UL1059 | IEC60998 | GB13140 | IEC60998 |
| ● 获得安规及标志 Access to Safety Mark | | | | |
| ● 证书号码/Certificate No | E338959 | 40041279 | CQC 190 03226724 | AQ5050 33330001 |
| ● 额定电压/Rated Voltage | 600V | 450V | 450V | 450V |
| ● 额定电流/Rated Current | 16A | 24A | | 24A |
| ● 线径范围/Wire range | | 0.5~2.5mm² | 0.5~2.5mm² | 0.5~2.5mm² |
| ● 大孔导线/Sol (Line-bigger hole) | 18-14 | 0.5~2.5mm² | | |
| ● 小孔导线/Sol (Line-smaller hole) | 18-16 | 0.5~1.5mm² | | |
| ● 剥线长度/Wire strip length | 8-9mm | 8-9mm | 8-9mm | 8-9mm |
| ● 绝缘耐压/Withstanding Voltage | 2200V | 2500V | 2500V | 2500V |
| ● 温度范围/Operating temperature | -40℃~120℃ | | | |
| ● 焊接温度/Soldering temperature | / | | | |
| ● 关键尺寸/Critical dimension | ★ | | | |

| | | | | |
|------------|--------------------------|---------------------------|-------------|-----------|
| ④ | 接地片/Grounding strip | 铜/Copper Alloy | 镍/Ni plated | 1 |
| ③ | 端盖/Cover | 尼龙/PA | 白色 | 1 |
| ② | 五金组件/Hardware components | 铜+不锈钢/Copper Alloy+SUS301 | 镍/Ni plated | 3 |
| ① | 主座/Housing | 尼龙/PA | 白色 | 1 |
| ITEM 序号 | NAME OF PART 部件名称 | Material 材料 | NOTES 备注 | QTY 用量 |

| | | | |
|--|------------------------------|----------------|------------|
| APPROVED/ 审批 CHECKED/ 核准 DRAWN/ 制图 | CAT NO./ 认证型号 | CM-238 | SHEET: 1/1 |
| | PATE NO./ 成品料号 | 02.01.005.0198 | SCALE: 1:1 |
| | CUST NO./ 客户料号 | / | REV.: A01 |
| | MODEL: | CM-238-D-3P | 接地符号5.0 |
| | DRAWING NO./ 图号: CM-238-198 | | |
| SIZE: A4 | TYPE/ 图纸类型: CUSTOMER_DRAWING | | |