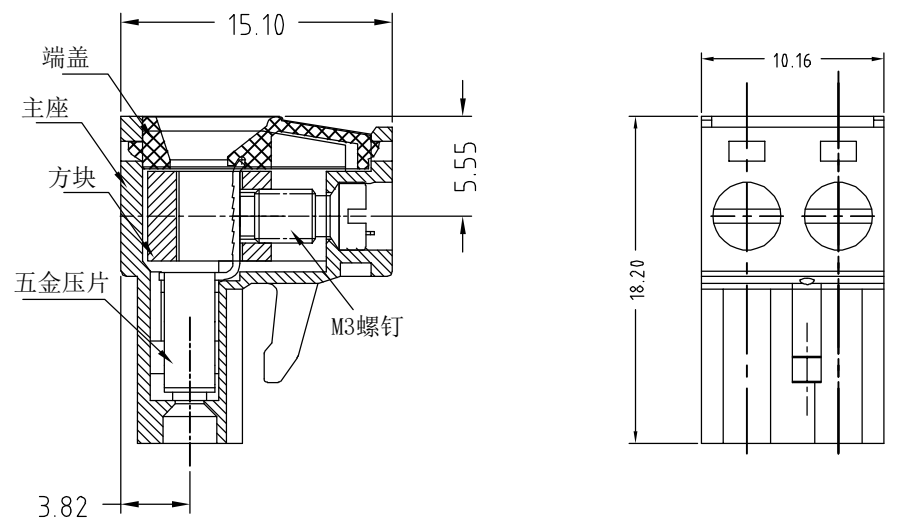


1		2		3		4		5		6		7		8		
未注公差/General tolerances(mm)														0.1/10 ±2'		
>0 ~	>3 ~	>6 ~	>10 ~	>18 ~	>30 ~	>50 ~	>80 ~	>120 ~	>180 ~	>250 ~	>315 ~	>400 ~	>500			
3	6	10	18	30	50	80	120	180	250	315	400	500				
±0.15	±0.20	±0.25	±0.30	±0.35	±0.40	±0.60	±0.80	±0.95	±1.00	±1.20	±1.60	±2.20	±2.50			

5	6	7	8
符号/SIGN	描述/DESCRIPTION	修订者/DRAWN	日期/DATE

Factory: Xiamen Fucon IMP&EXP CO.,LTD
Part No.: CM-2EDG-R-5.08-2P
CM-2EDG-R - series of screw wire connector (electrical terminal block for soldering to PCB)
5.08 - pitch 5.08 mm
2P - number of Pins (2 Pins)



技术参数 Technical parameter:

● 产品标准/Rated Voltage	UL1059 (B)	IEC60947	GB14048	
● 获得安规及标志 Access to Safety Mark				
● 证书号码/Certificate No	E338959	XXXXXXXXX	XXXXXX XXXXXX	
● 额定电压/Rated Voltage	300V	320V	320V	
● 额定电流/Rated Current	15A	20A	20A	
● 线径范围/Wire range		0.2-2.5mm ²	0.2-2.5mm ²	
● 硬质导线/Solid wire(AWG)	24-16	24-14	24-14	
● 软质导线/Stranded wire(AWG)				
● 剥线长度/Wire strip length	6-7mm	6-7mm	6-7mm	
● 绝缘耐压/Withstanding Voltage	1600V	2500V	2500V	
● 螺钉规格/Screw	M3			
● 额定扭力/Rated Toque	4.42 lbf·in			
● 温度范围/Operating temperature	-40℃~ 115℃			
● 焊接温度/Soldering temperature	260±5℃/5Sec			
● 关键尺寸/Critical dimension	★			

⑤	端盖	PA66	1
④	导电件	C5191	2
③	方块	H59	2
②	螺钉	钢材	2
①	主座	PA66	1

	CAT NO./认证型号	CM-2EDG-R-5.08-2P	SHEET: 1/1
	PATE NO./成品料号	XX.XX.XXX.XXXX	SCALE: 1:1
	CUST NO./客户料号	/	REV: A01
APPROVED/审批	王轩 2023.3.1	MODEL:	
CHECKED/核准	凌家民 2023.3.1	CM-2EDG-R-5.08-2P	
DRAWN/制图	魏兴烨 2023.3.1	DRAWING NO./图号: CM-2EDG-R-5.08	
		SIZE: A4	TYPE/图纸类型: CUSTOMER_DRAWING