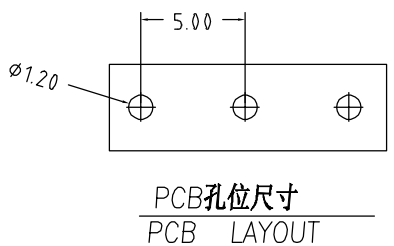
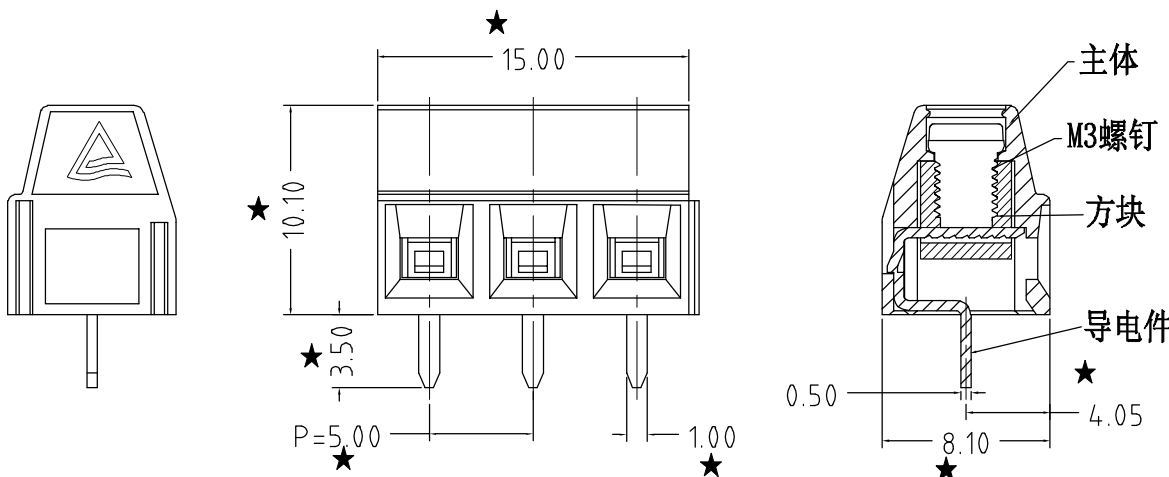


1		2		3		4		5		6		7		8	
未注公差/General tolerances(mm)														0.1/10	±2'
>0 ~	>3 ~	>6 ~	>10 ~	>18 ~	>30 ~	>50 ~	>80 ~	>120 ~	>180 ~	>250 ~	>315 ~	>400 ~	>500		
3	6	10	18	30	50	80	120	180	250	315	400	500			
±0.15	±0.20	±0.25	±0.30	±0.35	±0.40	±0.60	±0.80	±0.95	±1.00	±1.20	±1.60	±2.20	±2.50		

符号/SIGN	描述/DESCRIPTION	修订者/DRAWN	日期/DATE

Factory: Xiamen Fucon IMP&EXP CO.,LTD
 Part No.: CM-127-5.0-3P
 CM-127 - series
 5.0 - pitch 5.0 mm
 3P - number of Pins (3 Pins)



技术参数 Technical parameter:

● 产品标准/Rated Voltage	IEC60947 污染2, 材料3	GB14048
● 获得安规及标志 Access to Safety Mark		
● 证书号码/Certificate No	50566587	CQC22003 364776
● 额定电压/Rated Voltage	250V	250V
● 额定电流/Rated Current	15A	15A
● 线径范围/Wire range	0.2-1.5mm	0.2-1.5mm
● 硬质导线/Solid wire(AWG)		
● 软质导线/Stranded wire(AWG)		
● 剥线长度/Wire strip length	6-7mm	6-7mm
● 绝缘耐压/Withstanding Voltage	2000V	2000V
● 螺钉规格/Screw	M3	
● 额定扭力/Rated Toque	3.5 lbf in	
● 温度范围/Operating temperature	-40℃~120℃	
● 焊接温度/Soldering temperature	260±5/5Sec	
● 关键尺寸/Critical dimension	★	

④	导电件	紫铜	/	3
③	方块	H59	/	3
②	螺钉	钢(C1018/C1022)	Zn Plated	3
①	主座	尼龙/PA66	UL94-V0	1
ITEM 序号	NAME OF PART 部件名称	Material 材料	NOTES 备注	QTY 用量

 APPROVED/ 审批 CHECKED/ 核准 DRAWN/ 制图 	CAT NO./ 认证型号	CM-127	SHEET: 1/1
	PATE NO./ 成品料号	02.03.006.0001	SCALE: 1:1
	CUST NO./ 客户料号	/	REV: A01
	MODEL:	CM-127-5.0-3P-GN-01	
	DRAWING NO./ 图号:	CM-127-0001	
	SIZE: A4	TYPE/ 图纸类型: CUSTOMER_DRAWING	