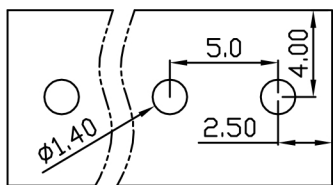


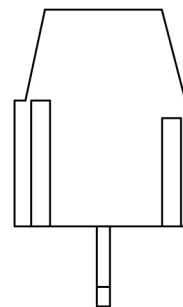
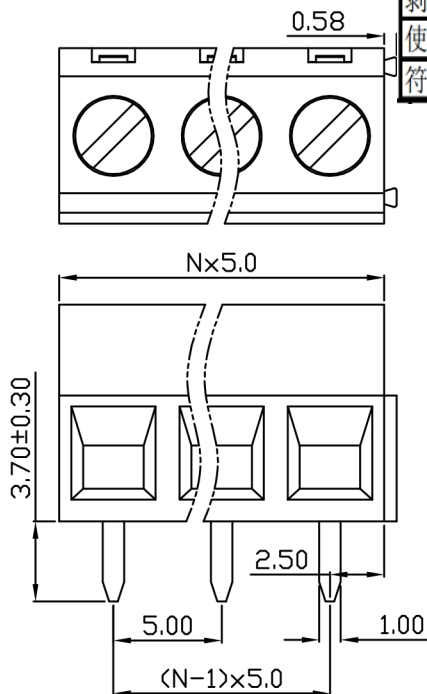
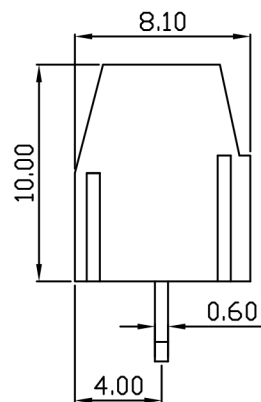
linear dimension(Tolerances Standard GB/T 14486-2008)

— \square \perp

variable range	to 6	over 6 to 10	over 10 to 30	over 30 to 60	over 60 to 100	over 100 to 160	to 10	over 10 to 100	over 100 to	
tolerance	±0.20	±0.30	±0.50	±0.70	±1.00	±1.30	±1.60	0.10	0.30	0.60



PCB Layout



UL 标准/UL Standard:	B	C	D
额定电压/电流/Rated Voltage(V)/Current(A)	300/12	/	/
IEC 标准/IEC Standard:			
过压类别/Overvoltage Category/污染等级/Pollution Degree	III/2		
额定电压/电流/Rated Voltage(V)/Current(A)	250/15		
工频耐压/Withstanding voltage(V/1Min)	AC2000		
螺丝扭矩/Torque Tightening(N·m/Lb.in)	M3, 02P 0.34/3.04 ≥03P 0.5/4.43		
线径范围(硬线和软线)/Wire Range(rigid and flexible)(AWG/mm ²)	26~14 / 0.75~1.5		
间距/Pitch(mm)/线数范围/Poles	5.0/N=02~24P		
剥线长度/Stripping length(mm)	6~7		
使用温度范围/Operating temperature(°C)	-40~+105		
符合RoHS环保要求/Conform to RoHS	Yes		

FUCON

Xiamen Fucon Electronics Co.,LTD

CM-127-5.0

APPD: JTING Chen 2022.11.25

CHKD: Duck Mao 2022.11.25

DRFT: Steven Lu 2022.11.25



SIZE: A4

mm
(inch)

REV TO-1

TYPE: CUSTOMER_DRAWING

SCALE: 1:1

SHEET 1/1