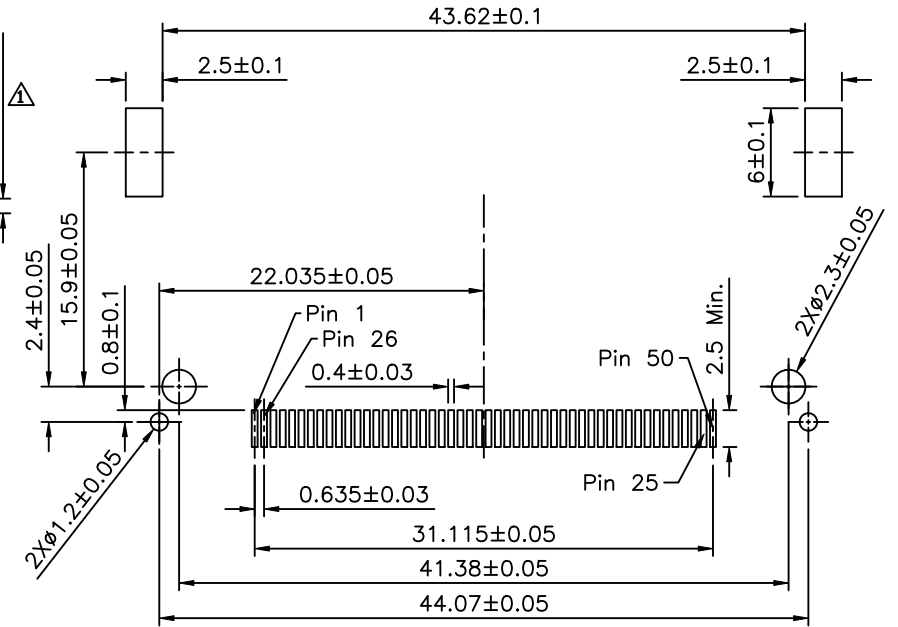
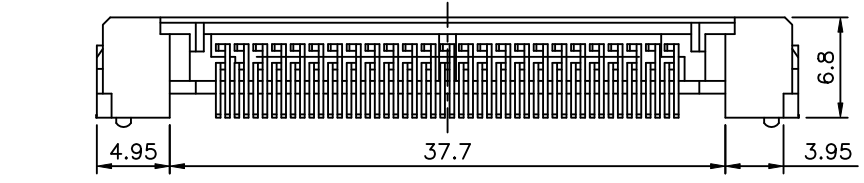
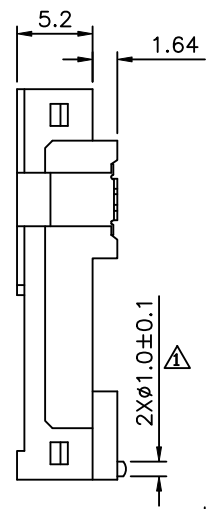
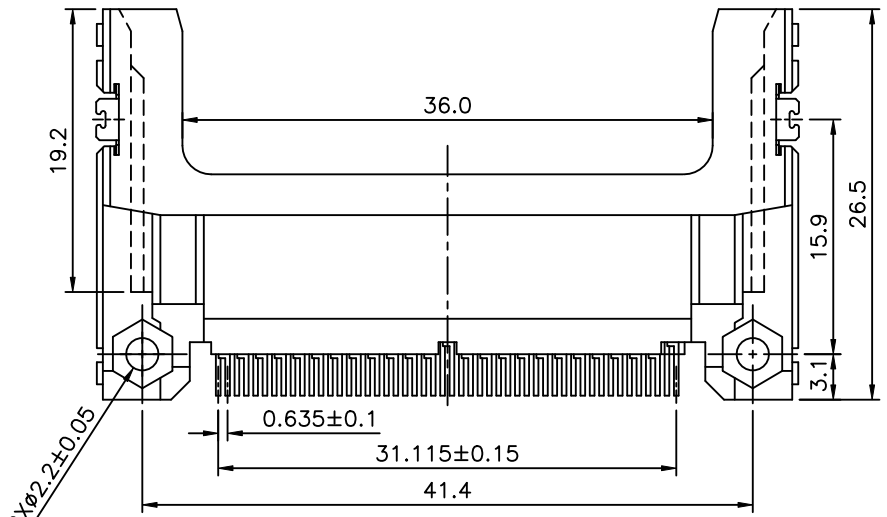


- △ CFC50PW 1 1 2 - H
 (1) (2) (3) (4) (5)
 (1) CFC50PW:CF Card 50 Pins
 Male SMT Right Angle
 (2) 1:Type 1
 (3) 1:Stand Off 1.64mm
 (4) 2:Reverse Type
 (5) H:RoHS Compliant

- △ SPECIFICATION
 △ 1.General Characteristics
 CF Card 50P Header SMT 90° Type 1 Stand
 Off 1.64mm Reverse Type
 2.Material&Finish
 Insulator:LCP+G.F.(UL94V-0)
 Contacts:Brass Alloy,Gold Plated On Contact Area,
 Tin Plated On Solder Tails,Over Nickel
 Mount Ear:Brass,Tin Plated Over All
 3.Electrical Characteristics
 Current Rating(Max.):0.5 Amps DC
 Voltage Rating(Max.):100V AC
 Contact Resistance:40 Milliohms Max.
 Insulation Resistance:1000 Megaohms Min.
 At 500V DC
 Dielectric Strength:500V AC/Minute
 4.Mechanical Characteristics
 Durability Test:10000 Cycles
 5.Environmental Characteristics
 Operating Temperature:-20°C~+90°C
 6.RoHS Compliant



△ Recommended P.C.B. Layout

AUK A MEMBER OF AUK GROUP
太聯事業股份有限公司
AUK CONTRACTORS CO., LTD.

CATEGORY		APPROVED BY		UNLESS OTHERWISE SPECIFIED TOLERANCES ARE X. ±0.5 .X ±0.3 .XX ±0.2 ANG. ±3°				
PART No. CFC50PW112-H		MEI						
DRAWING No. CFC50PW112-H		HZF			△ A2	Modify Data	HZF	01/24/2019
SCALE		REV.		CYP	△ A1	Modify Data	HZF	02/27/2012
NONE		A2		UNIT mm	△ A0	NEW RELEASE		
					NO.REV.	REVISIONS	CHK	DATE