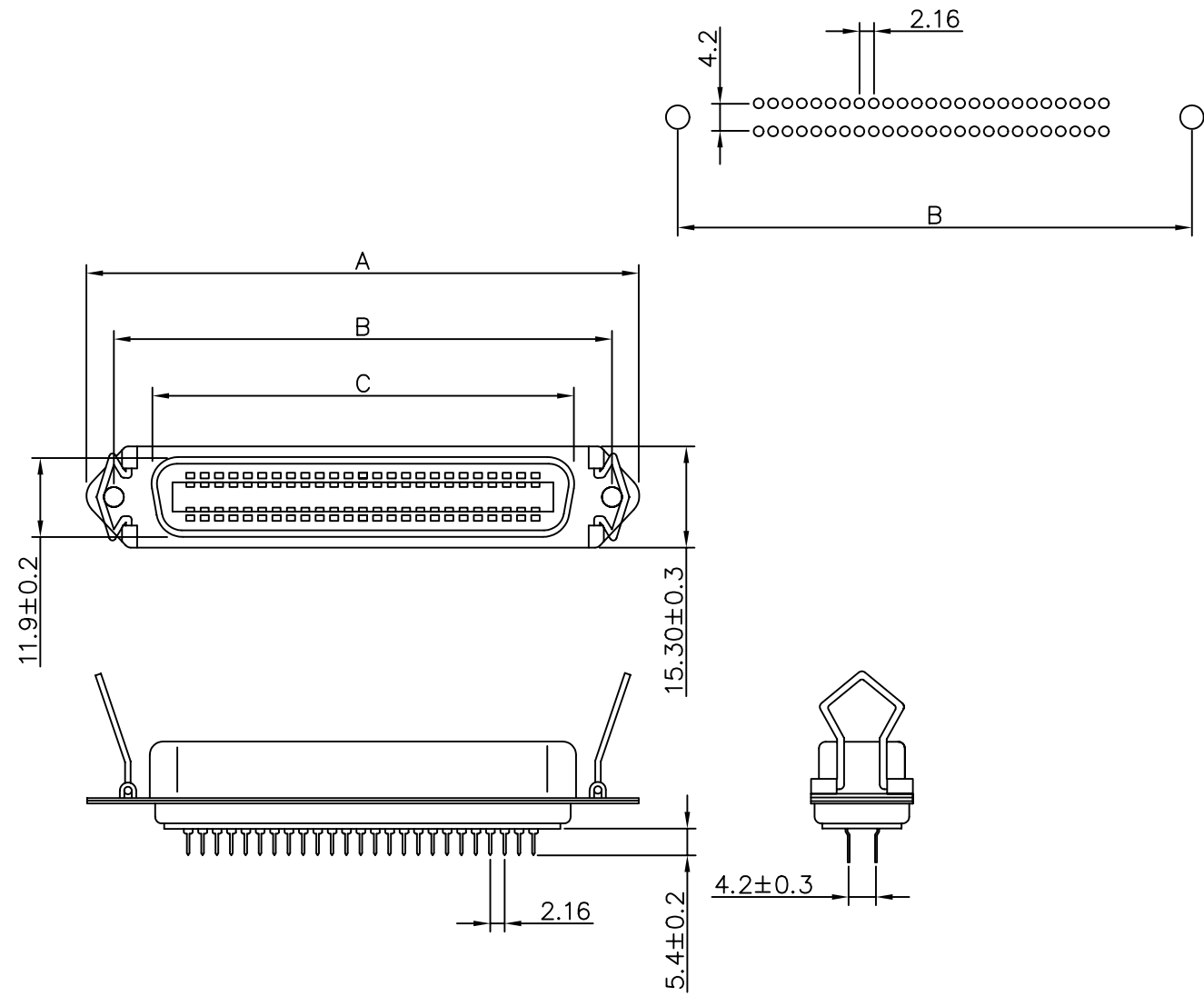


SPECIFICATIONS
 Rating Current: 1 AMP
 Contact Resistance: 30 Milliohms Max.
 Insulation Resistance: 500 Megohms Min At DC 500V
 Dielectric Withstanding Voltage: AC 500V RMS
 Operating Temperature: -55°C To +105°C
 Insulator: PBT, UL 94V-0
 Hood: Polypropylene
 Shell: Gold Rolled Steel, Nickel Plated
 Contact: Brass, Gold Flash



| Positions | A±0.2 | B±0.2 | C±0.2 |
|-----------|-------|-------|-------|
| 14 | 43.92 | 35.99 | 25.2 |
| 24 | 54.71 | 46.79 | 36.0 |
| 36 | 67.69 | 59.74 | 48.9 |
| 50 | 82.78 | 74.85 | 64.0 |

AUK A MEMBER OF AUK GROUP
太聯事業股份有限公司
AUK CONTRACTORS CO., LTD.

| | | | | |
|---------------------------|-----------|--------------------|--|--|
| CATEGORY Centronic D/S | | APPROVED BY MEI | | UNLESS OTHERWISE SPECIFIED TOLERANCES ARE .X ±0.38 .XX ±0.25 ANG. |
| PART No. CDXXS | | CHECKED BY RAN | | |
| DRAWING No. CDXXS | | DRAWING BY HZF | | |
| SCALE NONE | REV. A | UNIT mm | | |

| AREA | REVISIONS | CHK | DATE |
|------|-----------|-----|------|
| | | | |
| | | | |
| | | | |