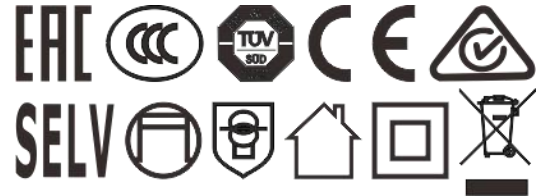




Constant Current Driver

Model:CCXXWXXXCGA36(-1)



Model	Input Current	Input Power	Output Power Range	PF	Efficiency	Output Current	Output Voltage	No load Voltage
CC15W350CGA36(-1)	0.10A	19W	5.25-14.7W	0.95	86%	350mA	15-42V	55V
CC18W300CGA36(-1)	0.13A	22W	6.9-18W	0.95	86%	300mA	23-60V	80V
CC18W450CGA36(-1)	0.13A	22W	5.85-18W	0.95	86%	450mA	13-40V	55V
CC18W700CGA36(-1)	0.13A	22W	6.3-18.2W	0.95	84.5%	700mA	9-26V	39V
CC21W500CGA36(-1)	0.15A	27W	7.5-21W	0.95	86%	500mA	15-42V	55V
CC24W300CGA36(-1)	0.16A	29W	10.5-24W	0.95	85.5%	300mA	35-80V	100V
CC25W600CGA36(-1)	0.17A	30W	9-25.2W	0.95	87%	600mA	15-42V	55V
CC30W700CGA36(-1)	0.19A	36W	10.5-29.4W	0.95	87%	700mA	15-42V	55V
CC34W800CGA36(-1)	0.21A	40W	12-33.6W	0.95	88.5%	800mA	15-42V	55V
CC38W900CGA36(-1)	0.23A	44W	13.5-37.8W	0.95	89%	900mA	15-42V	55V
CC42W1000CGA36(-1)	0.24A	48W	15-42W	0.95	89%	1000mA	15-42V	55V
CC42W1050CGA36(-1)	0.25A	50W	15.75-42W	0.95	89%	1050mA	15-40V	55V

* Test result @230V, 50Hz, Full Load.

* -1 for Class I&Class II for luminaires

1. Parameters

Category	Item	Technical Norm
Features	Output Type	Constant Current
	IP Grade	IP20
	Insulation Class	Class II
Input	Rated Input Voltage	220-240VAC
	Range of Input Voltage	198-264VAC or 220-280VDC
	Frequency	50/60Hz
	Input Current	≤0.25A(230VAC, full load)
	Input Power	≤50W(230VAC, full load)
	Power Factor	≥0.95(230VAC, full load)
	THD	≤12%(230VAC, full load)
	No-load Power Consumption	≤0.5W
Output	Current Accuracy	±5%
	Max. Output Power	42W
	Current Ripple(< 120 Hz)	±5%(Imax-Imin)/(Imax+Imin)

	PstLM	≤1
	SVM	≤0.4
	Started Delay Time	≤0.5S(230VAC, full load)
Protection	Short Circuit Protection	Auto Recovery
	Overload Protection	Auto Recovery
	No-load Protection	Auto Recovery
	Insulation voltage	I/P to O/P , 3KVac/1min
	Insulation resistance	>100M ohm @ 500VDC
	Leakage current	I/P to O/P < 250 μ A
Environment	Ta/Operation Temperature	-20....+45°C
	Ts/Storage Temperature	-20....+85°C
	Tc/Enclosure Temperature	90°C
	Humidity	10%....90%RH
	Atmospheric pressure	86-108KPa
Construction	Connection Method	Push-in Terminal
	Installation	Independent
	PRI Wire preparation	0.75-1.5□
	SEC Wire preparation	0.5-0.75□
	Dimension	115X38X25mm (L*W*H)
Standards	Certification	TUV SAA CCC CE
	Safety Standards	EN61347-1:2015,EN61347-2-13:2014/A1:2017,EN62493:2015, AS/NZS IEC61347.2.13:2013, AS/NZS 61347.1:2016 Inc A1
	EMC Standards	EN55015:2013/A1:2015,EN61000-3-2:2014, EN61000-3-3:2013,EN61547:2009
	Performance	EN62384
	Surge	L-N/2KV
Others	RoHS	complied to 2011/65/EU
	Life Time	50000h @45°C (Ta) / 80°C (Tc)
	Warranty	5years, F.R.<10000ppm
	Noise	≤ 24dB@Background noise ≤18dB , Interval≥15cm @half load-full load

Remark:

- All Parameters, if not specified, are measured at 230VAC/50Hz and 25°C ambient temperature.
- LED Driver is a component of the luminaires, Luminaires and wire layout will affect the EMC, please check the EMC with end products again.

2. Connected quantities of different current Breaker

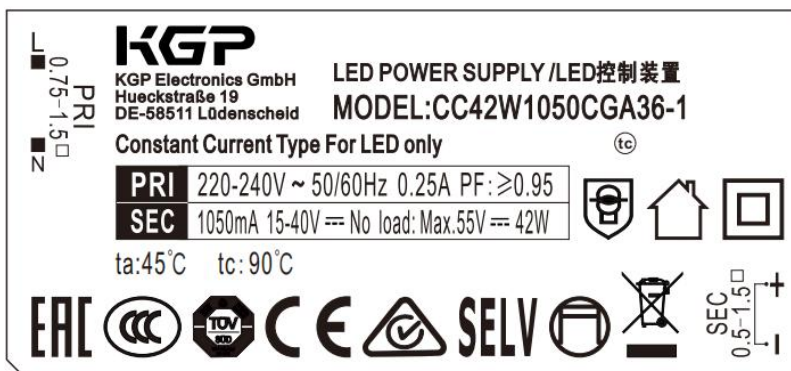
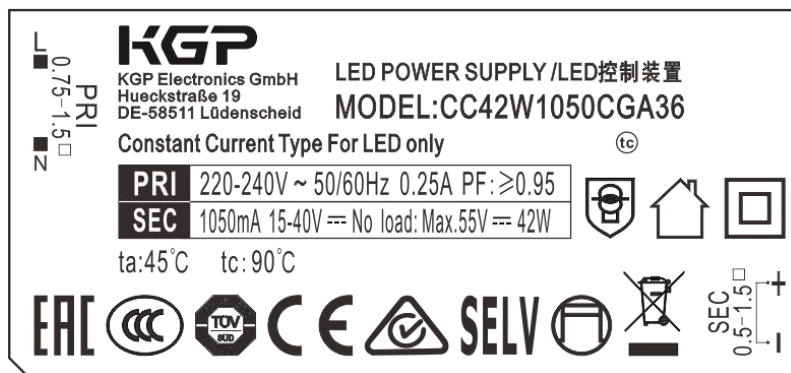
15-30W

TYPE	Connected quantities of different current Breaker						Input Voltage	Inrush Current	Time
	current (A)	10	13	16	20	25			
	Installation wire diameter	1.5mm ²	2.5mm ²	2.5mm ²	4mm ²	4mm ²			
TYPE B	24	31	38	48	60	@230VAC	25	400	
TYPE C	38	50	61	77	96				
TYPE D	61	80	98	123	154				

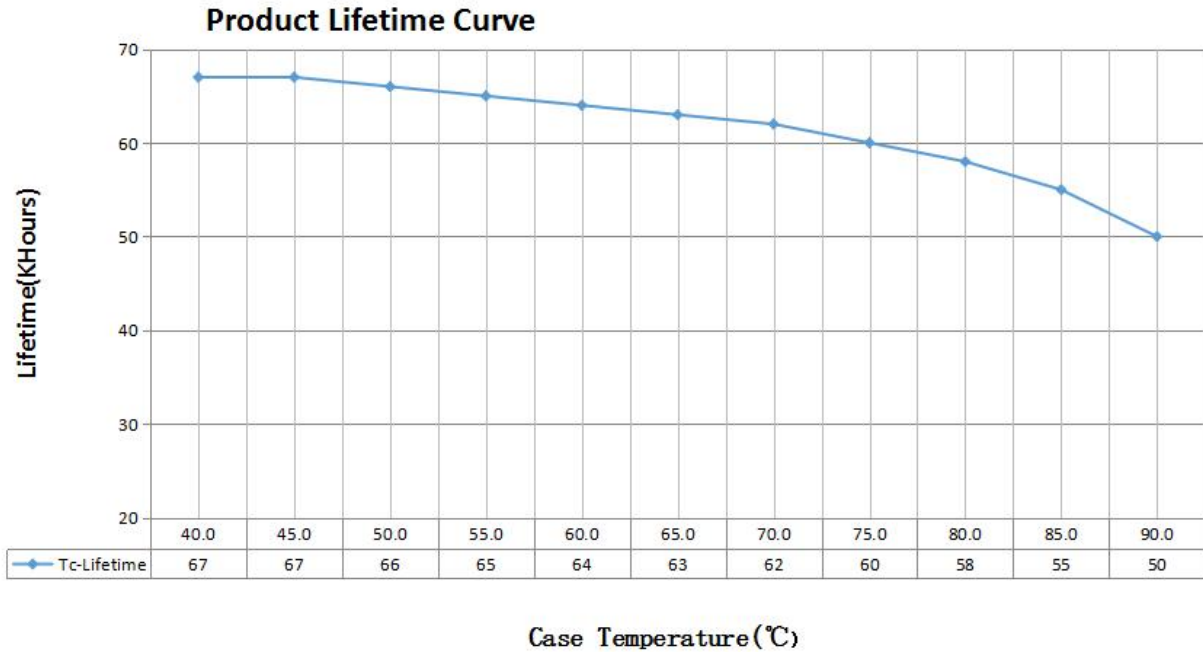
34-42W

TYPE	Connected quantities of different current Breaker						Input Voltage	Inrush Current	Time
	current (A)	10	13	16	20	25			
	Installation wire diameter	1.5mm ²	2.5mm ²	2.5mm ²	4mm ²	4mm ²			
TYPE B	20	26	32	40	50	@230VAC	30	400	
TYPE C	32	42	51	64	80				
TYPE D	51	67	82	102	128				

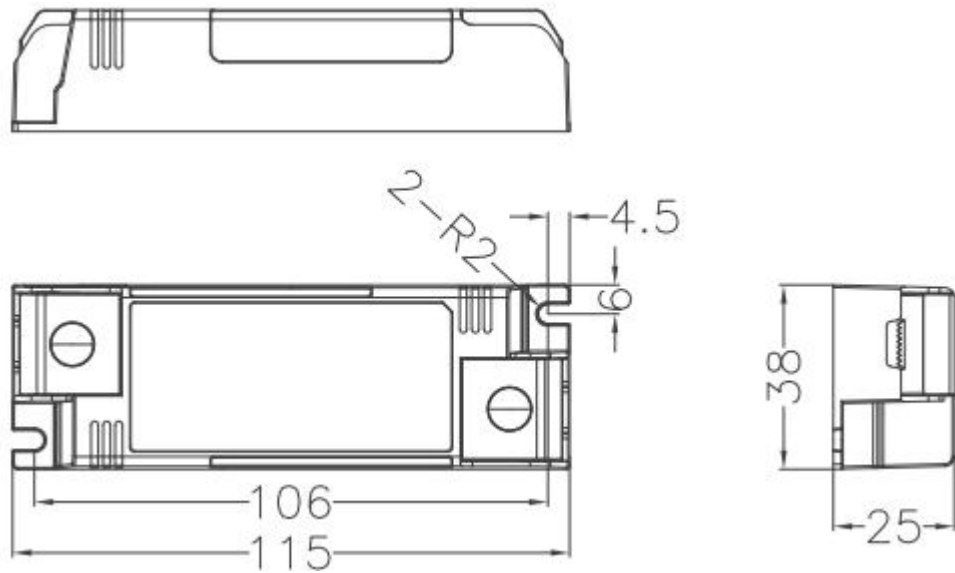
3. Label



4. Lifetime curve



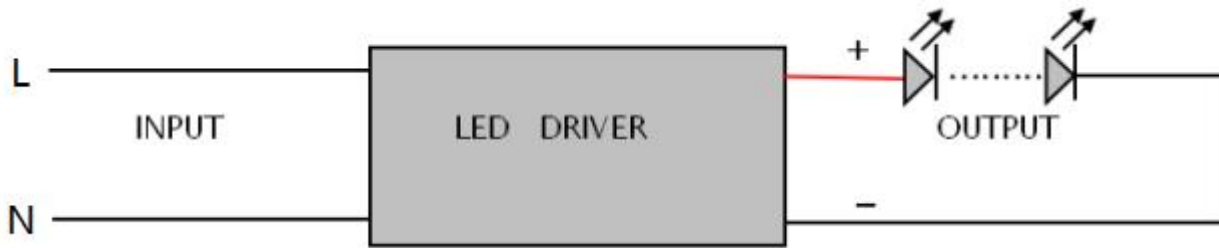
5. Dimension



6. Packing information

Carton L*W*H(mm)	Pcs/Carton	Net weight/ Pcs(kg)	Net weight/ Carton(kg)	Gross weight / Carton(kg)
447*240*200	130	0.053	6.89	7.45

7. Wiring Diagram



8. Wiring instructions

- All connections must be kept as short as possible to ensure good EMI behaviour
- Mains leads should be kept apart from LED Driver and other leads (ideally 5 - 10 cm distance)
- Advice the maximum length of output wires is 3 m
- Secondary switching is not permitted (Except for constant voltage)
- Incorrect wiring can damage LED modules
- The wiring must be protected against short circuits to earth (sharp edged metals parts, metal cable clips, louver, etc.)

9. REVISION HISTORY

DATE	VER	REMARK
2023-8-14	V1.0	Initial release
2023-10-23	V1.1	Clear certification label
2024-01-19	V1.2	* -1 for Class I&Class II for luminaires