



Constant Current Driver

Model : CC15WXXXA32



Model	Input Current	Input Power	Output Power Range	PF	Efficiency	Output Current	Output Voltage	No load Voltage
CC15W300A32	0.2A	19W	8.4-12.6W	0.92	86%	300mA	28-42V	57V
CC15W350A32	0.2A	19W	9.8-14.7W	0.92	86%	350mA	28-42V	57V
CC15W500A32	0.2A	19W	8-14.5W	0.92	84%	500mA	16-29V	41V
CC15W700A32	0.2A	19W	8.4-14W	0.92	83%	700mA	12-20V	32V

***Test result @230 V, 50 Hz, Full Load**

1. Parameters

category	Item	Technical Norm
Features	Output Type	Constant Current
	IP Grade	IP20
	Insulation Class	Class II
Input	Rated Input Voltage	100-277VAC
	Range of Input Voltage	90-305VAC or 180-280VDC
	Frequency	50/60Hz
	Input Current	≤0.2A
	Input Power	≤ 19W
	Power Factor	≥0.92
	THD	≤15%
	No-load Power Consumption	≤0.5W
	Inrush Current	≤12A/300us
	Connected quantity of 10A Breaker	19pcs/type A ; 31pcs/type B; 50pcs/type C
	Connected quantity of 16A Breaker	31pcs/type A ; 50pcs/type B; 80pcs/type C
Connected quantity of 20A Breaker	38pcs/type A ; 62pcs/type B; 100pcs/type C	
Output	Current Accuracy	±5%
	Max. Output Power	14.7W
	Started Delay Time	≤0.5S (230VAC, full load)
	Current Ripple	±5% (Imax-Imin) / (Imax+Imin)
Protection	Short Circuit Protection	Auto Recovery
	Overload Protection	Auto Recovery
	No-load Protection	Auto Recovery
	Insulation voltage	I/P to O/P , 3KVac/1min,I/P to PE 1.5Kac/1min

	Insulation resistance	>100M ohm @ 500VDC
	Leakage current	I/P to O/P < 250µA
Environment	Ta/Operation Temperature	-20....+50 °C
	Ts/Storage Temperature	-40....+85 °C
	Tc/Enclosure Temperature	90 °C
	Humidity	10%.... 90%RH
	Atmosphere	86-108KPa
Construction	Connection Method	Direct Lead
	Installation	Build-in
	PRI Wire preparation	0.5-0.75 [□]
	SEC Wire preparation	0.5-0.75 [□]
	Dimension	60.9*40*24(L*W*H)
Standards	Certification	TUV SAA EAC
	Safety Standards	EN61347-2-13:2014/A1:2017, EN62493:2015,EN613471:2015/A1:2021, AS61347.2.13:2018, AS/NZS61347.1:2016 Inc A1
	EMC Standards	EN IEC 55015:2019 EN IEC 55015:2019/A11:2020 EN IEC 61000-3-2:2019 EN 61000-3-3:2013/A1:2019 EN61547:2009
	Performance	EN62384
	Surge	L-N/1KV L N-PE/2KV
	Others	RoHS
	Life Time	50,000h @ Ta/ Tc
	Warranty	5years , F.R. < 10000ppm
<p>Remark</p> <ol style="list-style-type: none"> All Parameters, if not specified, are measured at 230VAC/50Hz and 25°C ambient temperature. LED Driver is a component of the luminaires ,Luminaires and wire layout will affect the EMC, please check the EMC with end products again. 		

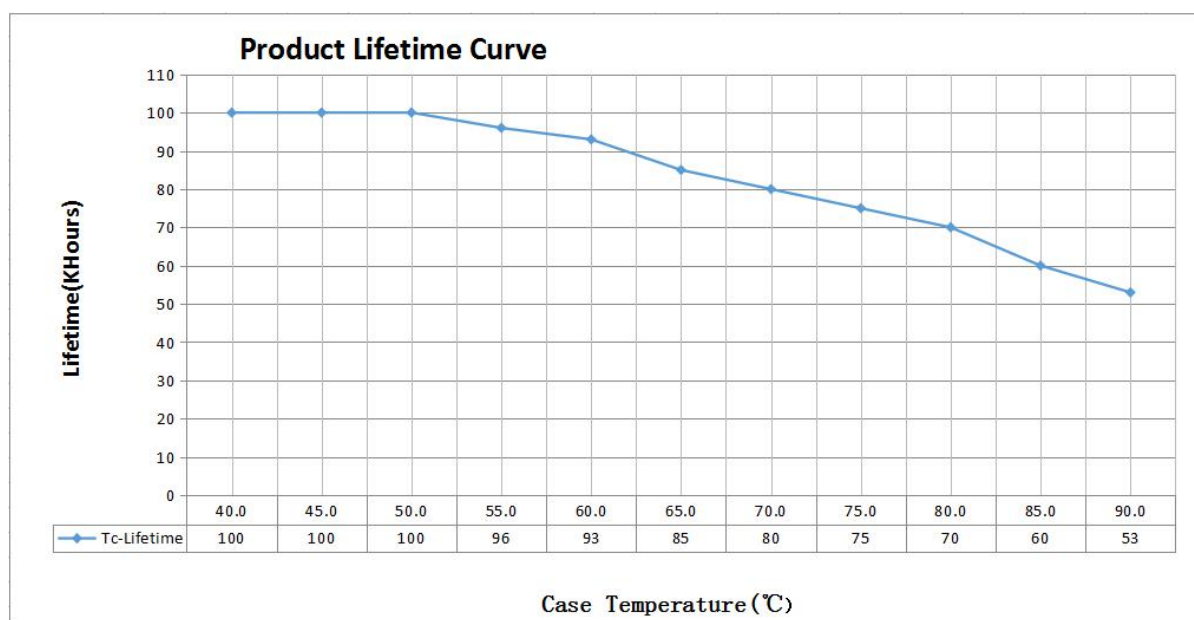
2. Label (For example)



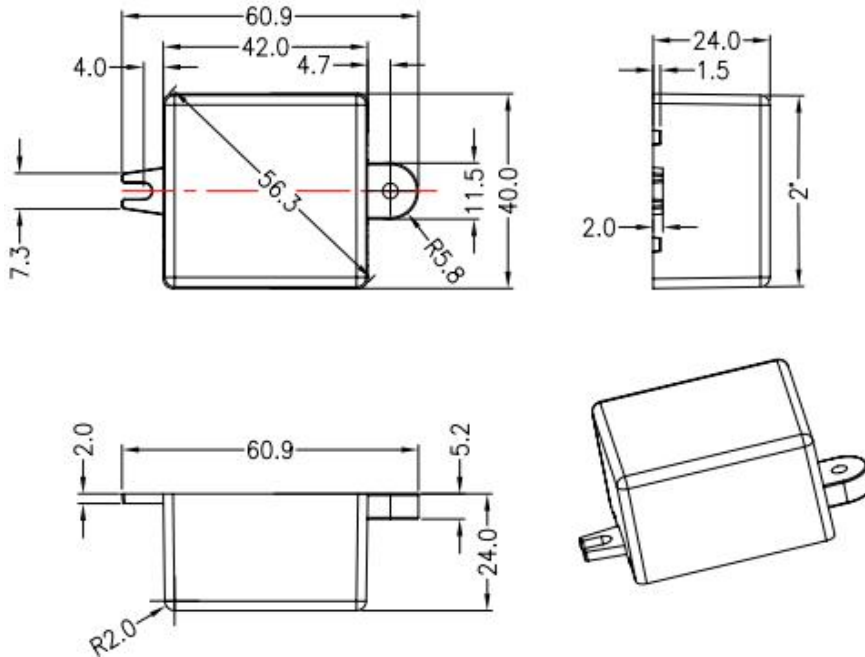
3. Dimming curve

NA

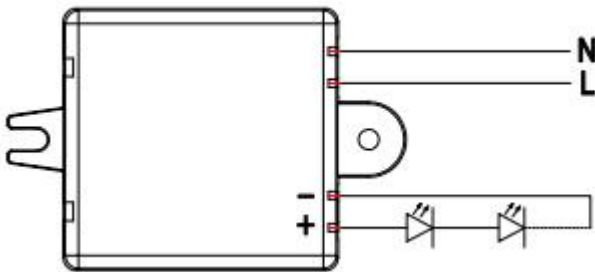
4. Lifetime curve



5. Dimension (Unit: mm)



6. Wiring Diagram



7. Packing information

packing way	Carton L*W*H(mm)	Pcs/Carton	Net weight/ Pcs(kg)	Net weight/ Carton(kg)	Gross weight / Carton(kg)
447*240*200	447*240*200	240	0.071	17.04	17.60

8. Wiring instructions

- All connections must be kept as short as possible to ensure good EMI behaviour
- Mains leads should be kept apart from LED Driver and other leads (ideally 5 – 10 cm distance)
- Advice the maximum length of output wires is 3 m
- Secondary switching is not permitted (Except for constant voltage)
- Incorrect wiring can damage LED modules.
- The wiring must be protected against short circuits to earth (sharp edged metals parts, metal cable clips, louver, etc.)