



Constant Current Driver

Model : CC10WXXXA31



Model	Input Current	Input Power	Output Power Range	PF	Efficiency	Output Current	Output Voltage	No load Voltage
CC10W350A31	0.15A	14W	5.25-9.1W	0.92	81%	350mA	15-26V	39V
CC10W500A31	0.15A	14W	5.5-9W	0.92	79%	500mA	11-18V	30V
CC10W700A31	0.15A	14W	5.6-9.8W	0.92	76%	700mA	8-14V	27V

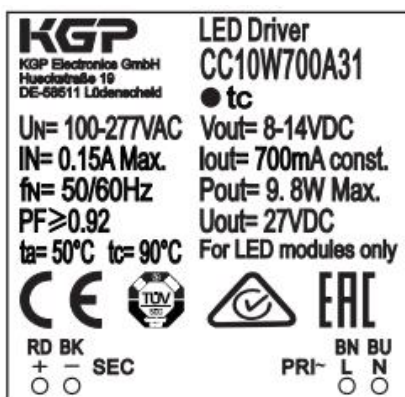
***Test result @230 V, 50 Hz, Full Load**

1. Parameters

category	Item	Technical Norm
Features	Output Type	Constant Current
	IP Grade	IP20
	Insulation Class	Class II
Input	Rated Input Voltage	100-277VAC
	Range of Input Voltage	90-277VAC or 180-280VDC
	Frequency	50/60Hz
	Input Current	≤0.15A
	Input Power	≤ 14W
	Power Factor	≥0.92
	THD	≤15%
	No-load Power Consumption	≤0.5W
	Inrush Current	≤10A/300us
	Connected quantity of 10A Breaker	22pcs/type A ; 36pcs/type B; 60pcs/type C
	Connected quantity of 16A Breaker	35pcs/type A ; 58pcs/type B; 96pcs/type C
Connected quantity of 20A Breaker	44pcs/type A ; 72pcs/type B; 120pcs/type C	
Output	Current Accuracy	±7%(350mA)
	Current Accuracy	±5%(500mA&700mA)
	Max. Output Power	9.8W
	Started Delay Time	≤0.5S (230VAC, full load)
	Current Ripple	±5% (Imax-Imin) / (Imax+Imin)
Protection	Short Circuit Protection	Auto Recovery
	Overload Protection	Auto Recovery
	No-load Protection	Auto Recovery
	Insulation voltage	I/P to O/P , 3KVac/1min, I/P to PE 1.5Kac/1min

	Insulation resistance	>100M ohm @ 500VDC
	Leakage current	I/P to O/P < 250µA
Environment	Ta/Operation Temperature	-20....+50 °C
	Ts/Storage Temperature	-40....+85 °C
	Tc/Enclosure Temperature	90 °C
	Humidity	10%.... 90%RH
	Atmosphere	86-108KPa
Construction	Connection Method	Direct Lead
	Installation	Build-in
	PRI Wire preparation	0.5-0.75 [□]
	SEC Wire preparation	0.5-0.75 [□]
	Dimension	46.2*40*22(L*W*H)
Standards	Certification	TUV SAA EAC
	Safety Standards	EN61347-2-13:2014/A1:2017, EN62493:2015,EN613471:2015/A1:2021, AS61347.2.13:2018, AS/NZS61347.1:2016 Inc A1
	EMC Standards	EN IEC 55015:2019 EN IEC 55015:2019/A11:2020 EN IEC 61000-3-2:2019 EN 61000-3-3:2013/A1:2019 EN61547:2009
	Performance	EN62384
	Surge	L-N/1KV L N-PE/2KV
	Others	RoHS
	Life Time	50,000h @ Ta/ Tc
	Warranty	5years , F.R. < 10000ppm
<p>Remark</p> <ol style="list-style-type: none"> All Parameters, if not specified, are measured at 230VAC/50Hz and 25°C ambient temperature. LED Driver is a component of the luminaires ,Luminaires and wire layout will affect the EMC, please check the EMC with end products again. 		

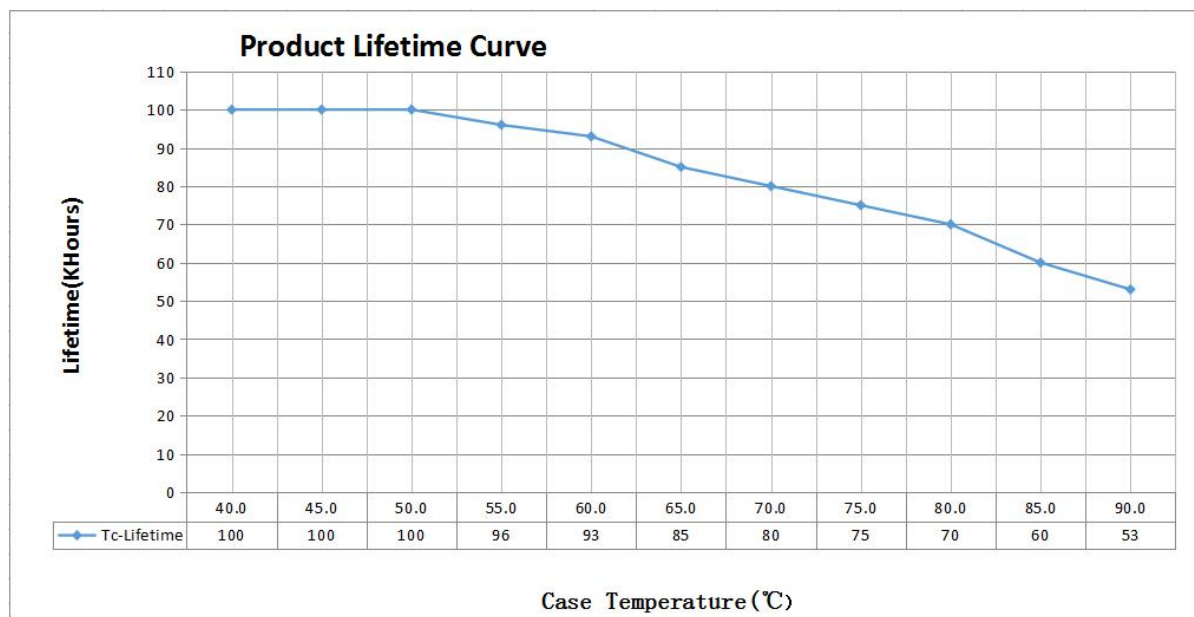
2. Label (For example)



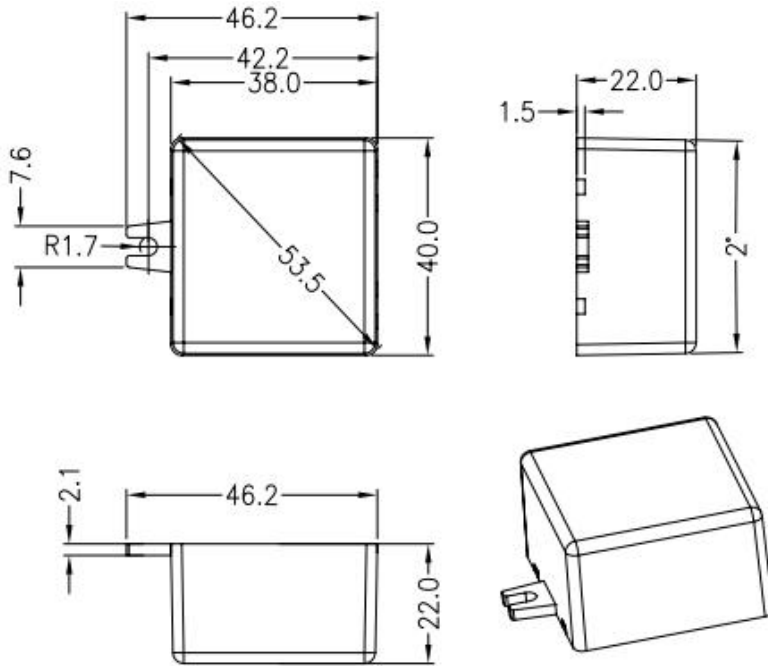
3. Dimming curve

NA

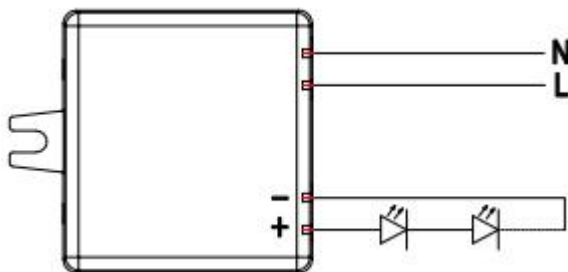
4. Lifetime curve



5. Dimension (Unit: mm)



6. Wiring Diagram



7. Packing information

packing way	Carton L*W*H(mm)	Pcs/Carton	Net weight/ Pcs(kg)	Net weight/ Carton(kg)	Gross weight / Carton(kg)
447*240*200	447*240*200	250	0.063	15.75	16.31

8. Wiring instructions

- All connections must be kept as short as possible to ensure good EMI behaviour
- Mains leads should be kept apart from LED Driver and other leads (ideally 5 – 10 cm distance)
- Advice the maximum length of output wires is 3 m
- Secondary switching is not permitted (Except for constant voltage)
- Incorrect wiring can damage LED modules.
- The wiring must be protected against short circuits to earth (sharp edged metals parts, metal cable clips, louver, etc.)