



Constant Current Driver

Model:CCXXWXXXCGA35



Model	Output Current	Input Current	Input Power	Output Power Range	PF	Efficiency	Output Voltage	No load Voltage
CC6W150CGA35	150mA	0.1A	10W	4.5-6.3W	0.5	80%	30-42V	59V
CC9W200CGA35	200mA	0.1A	12W	6.0-8.4W	0.5	82%	30-42V	59V
CC10W250CGA35	250mA	0.12A	14W	7.5-10.5W	0.5	83%	30-42V	59V
CC12W300CGA35	300mA	0.16A	16W	9.0-12.6W	0.5	83%	30-42V	59V
CC15W350CGA35	350mA	0.17A	18W	10.5-14.7W	0.5	84%	30-42V	59V

* Test result @230V, 50Hz, Full Load.

1. Parameters

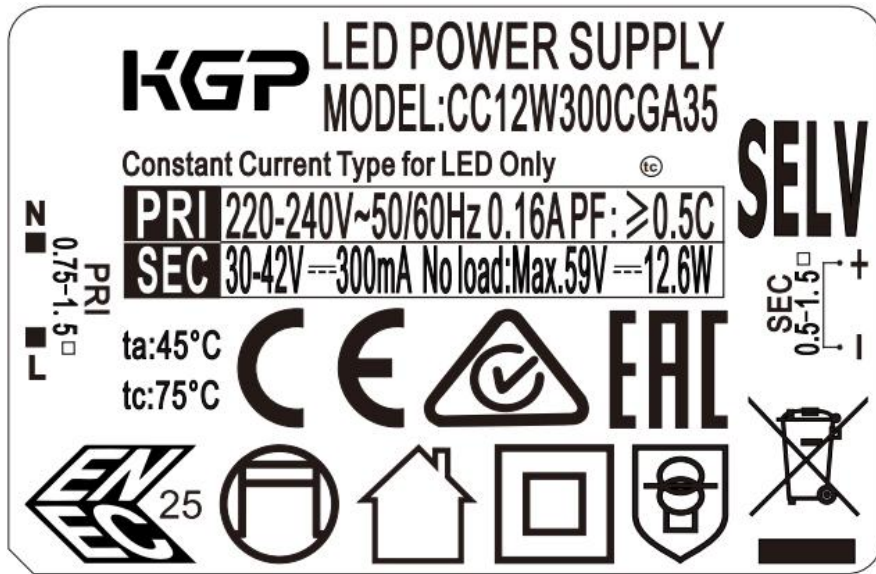
Category	Item	Technical Norm
Features	Output Type	Constant Current
	IP Grade	IP20
	Insulation Class	Class II
Input	Rated Input Voltage	220-240VAC
	Range of Input Voltage	180-264VAC, or 220-280VDC
	Frequency	50/60Hz
	Input Current	≤0.17A(180VAC, full load)
	Input Power	≤18W(230VAC, full load)
	Power Factor	≥0.5(230VAC, full load)
	PstLM	≤1 @230VAC
	SVM	≤0.4 @230VAC
	THD	conform to EN61000-3-2
	DF	≥0.7 @230VAC
	No-load Power Consumption	≤0.5W @230VAC
	Inrush Current	≤30A/400us (230VAC, Full-load)
Output	Current Accuracy	150-200mA:±7%, 250-350mA:±5%
	Max. Output Power	14.7W
	Started Delay Time	≤0.5S (230VAC, full load)
Protection	Short Circuit Protection	Auto Recovery
	Overload Protection	Auto Recovery
	No-load Protection	Auto Recovery

	Insulation voltage	I/P to O/P , 3KVac/1min
	Insulation resistance	>100M ohm @ 500VDC
	Leakage current	I/P to O/P < 250μA
Environment	Ta/Operation Temperature	-20....+45°C
	Ts/Storage Temperature	-30....+85°C
	Tc/Enclosure Temperature	75 °C
	Humidity	10%....90%RH
	Atmosphere	86-108KPa
Construction	Connection Method	Push-in Terminal
	Installation	Independent
	PRI Wire preparation	0.75-1.5□
	SEC Wire preparation	0.5-1.5□
	Dimension	86X32X23mm (L*W*H)
Standards	Certification	ENEC、CCC、SAA、CE、CB
	Safety Standards	EN61347-1:2015,EN61347-2-13:2014/A1:2017, EN62493:2015, EN 61347-1:2015/A1:2021,
	EMC Standards	EN IEC 55015:2019,EN IEC 55015:2019/A11:2019, EN IEC61000-3-2:2019,EN61000-3-3:2013/A1:2019, EN 61547:2009,EN IEC 55015:2019/A11:2020
	Performance	EN 62384
	Surge	L-N/1.5KV
Others	RoHS	complied to 2011/65/EU
	Life Time	30000h @Ta
	Warranty	5years , F.R. <10000ppm
	Noise	≤ 24dB@Background noise ≤18dB , Interval≥15cm
Remark 1. All Parameters, if not specified, are measured at 230VAC/50Hz and 25°C ambient temperature. 2. LED Driver is a component of the luminaires, Luminaires and wire layout will affect the EMC, please check the EMC with end products again.		

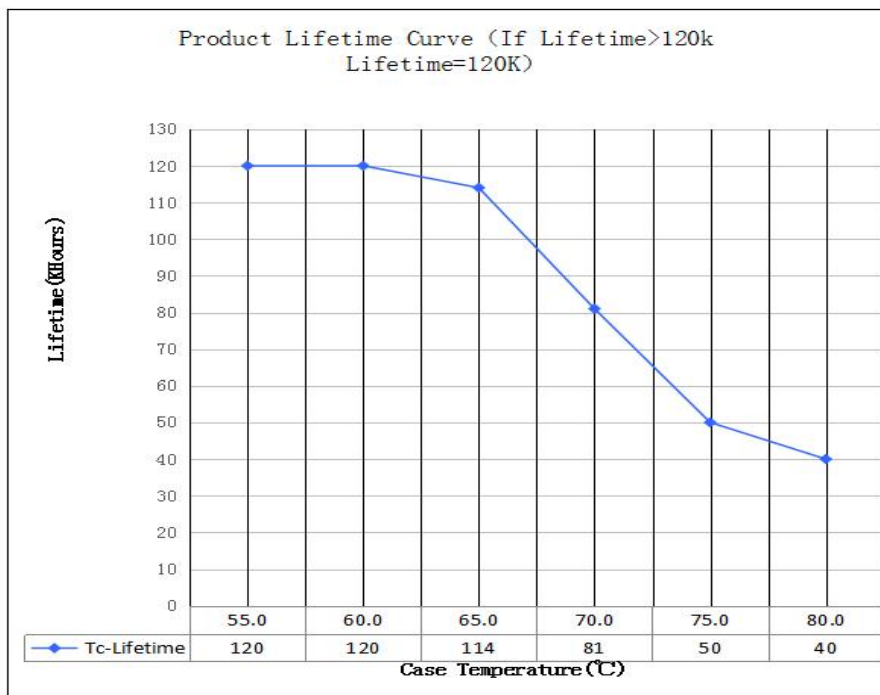
2. Connected quantities of different current Breaker

TYPE	Connected quantities of different current Breaker						Input Voltage	Inrush Current (A)	Time
	current (A)	10	13	16	20	25			
	Installation wire diameter	1.5mm ²	2.5mm ²	2.5mm ²	4mm ²	4mm ²			
TYPE B		20	26	32	40	50	@230VAC	30	400us
TYPE C		32	42	51	64	80			
TYPE D		51	67	82	102	128			

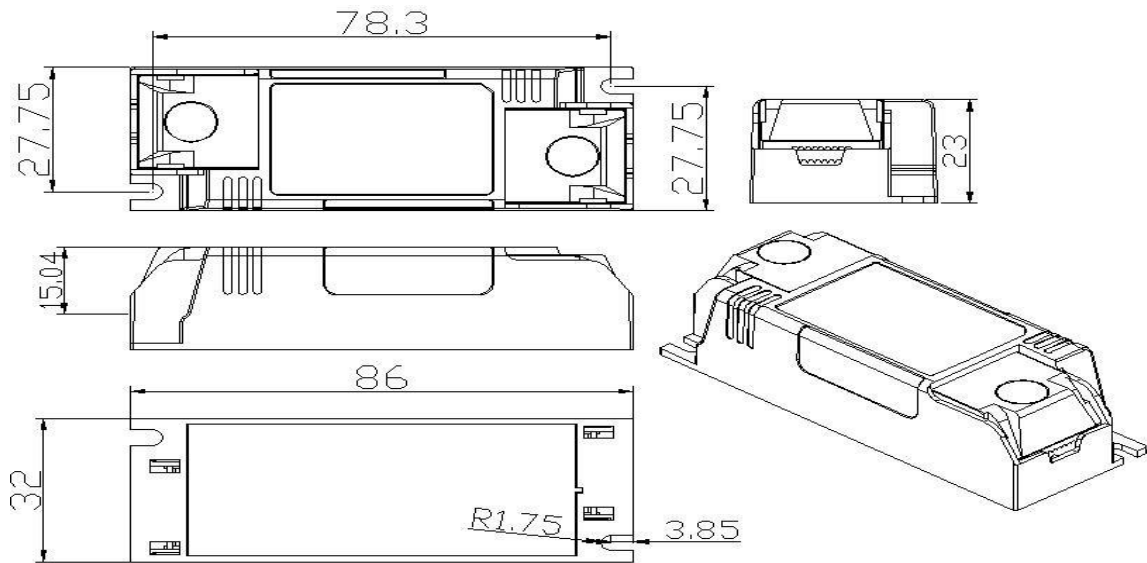
3. Label



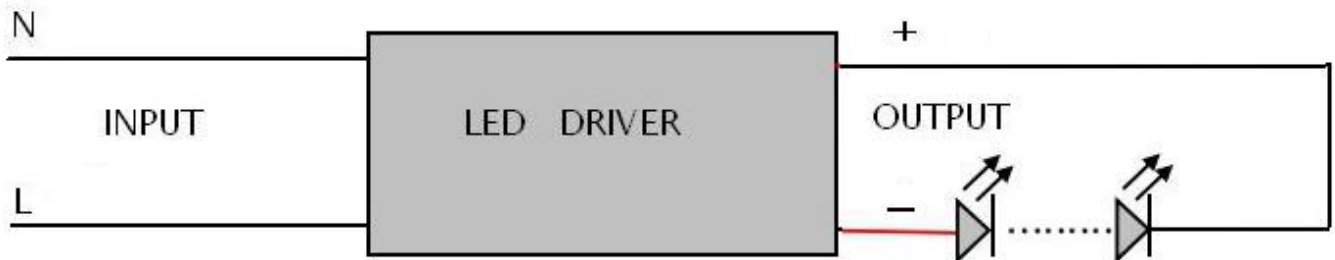
4. Lifetime curve



5. Dimension (Unit: mm)



6. Wiring Diagram



7. Packing information

Carton L*W*H(mm)	Pcs/Carton	Net weight/ Pcs(kg)	Net weight/ Carton(kg)	Gross weight / Carton(kg)
457*250*220	210	0.038	7.98	8.78

8. Wiring instructions

- All connections must be kept as short as possible to ensure good EMI behaviour
- Mains leads should be kept apart from LED Driver and other leads (ideally 5 – 10 cm distance)
- Advice the maximum length of output wires is 3 m
- Secondary switching is not permitted (Except for constant voltage)
- Incorrect wiring can damage LED modules.
- The wiring must be protected against short circuits to earth (sharp edged metals parts, metal cable clips, louver, etc.)



9. REVISION HISTORY

DATE	VER	REMARK
2024-03-08	V1.0	Initial release.