



ISO9001 & ISO14001 & TS16949 CHILISIN ELECTRONICS CORP.

Lead-Free & RoHs Compliance!!

SPECIFICATION FOR APPROVAL

CUSTOMER : 蔚来汽车

CUSTOMER P/N :

OUR DWG No :

QUANTITY : Pcs. DATE: 2019/04/22

ITEM : BTEA002525GPSD1A01

**SPECIFICATION
ACCEPTED BY:**

COMPONENT ENGINEER	
ELECTRICAL ENGINEER	
MECHANICAL ENGINEER	
APPROVED	
REJECTED	

奇力新電子股份有限公司
 Chilisin Electronics Corp
 No. 29, Alley 301, Tehsin Rd.,
 Hukou, Hsinchu 303, Taiwan
 TEL: +886-3- 599-2646
 FAX: +886-3- 599-9176
 E-mail: sales@chilisin.com
 http: //www.chilisin.com

東莞奇力新電子有限公司
 Chilisin Electronics (Dongguan) Co., Ltd.
 No. 78, Puxing Rd., Yuliangwei Administration Area, Qingxi
 Town, Dongguan City, Guangdong, China
 TEL: +86-769-8773-0251~3
 FAX: +86-769-8773-0232
 E-mail: cect@chilisin.com

奇力新電子(河南)有限公司
 Chilisin Electronics (Henan) Co., Ltd.
 XiuWu Xian, industry gathering area
 JiaoZuo, Henan China
 Postal Code:454350
 TEL:+86-391-717-0682
 FAX:+86-391-717-0666

蘇州奇益新電子有限公司
 SUZHOU QI YIXIN Electronics Co., Ltd.
 No.143, Song Shan Rd., Suzhou New District, Suzhou, China
 Postal Code:215129
 TEL:+86-512-6841-2350
 FAX:+86-512-6841-2356
 E-mail: suzhou@chilisin.com

DRAWN BY

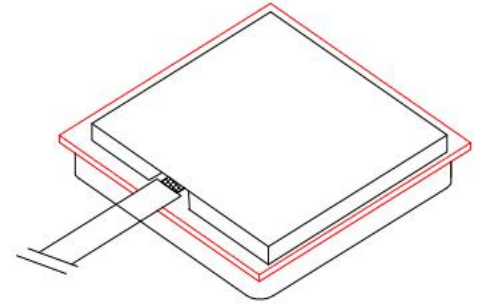
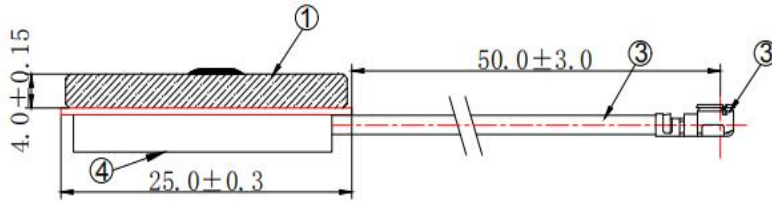
CHECKED BY

APPROVED BY



ISO9001 & ISO14001 & TS16949 CHILISIN ELECTRONICS CORP.

Mechanical Specification

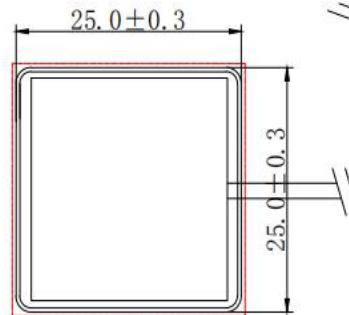


Specification:

Frequency Rang: 1575.42±3MHz
Output Impedance: 50 Ohm Nominal
V.S.W.R: 2.0 Max
Return Loss: -10 dB
Polarization: RHCP
Gain: 28dBi Typ
DC Power Input: 3.3V Typ
Power Consumption: 5mA Typ

Appearance :

Antenna Unit : 25.0*25.0* 4.0mm
PCB : Lead Free
Cable : Φ1.13
Operating Temp:-30~+80°C
Storage Temp:-40~+90°C





Antenna Specification

ELECTRICAL PROPERTIES

Antenna Specifications	
Description	Value
Outline Dimension	25*25*4mm
Frequency Range	1575.42Mhz
Atenna Gain at zenith	3dBi
Polarization	P.H.C.P
Output Impedance	50 Ohm
VSWR	2.0 MAX
Axis Ratio	≤ 3 dB
Operating Temperature	-40~105°C
LNA Specifications	
Frequency Range	1575.42Mhz
Gain	28dBi
Output Impedance	50 Ohm
VSWR	2.0 MAX
DC Voltage	3-5.5V
Operating Current	≤ 10 mA
Cable	1.13 L=50mm
Radome clolr	Gray



Test Report

ELECTRICAL CHARACTERISTICS

S11 VSWR



Trc3 S11 SWR 1 U / Ref 1 U 3 of 3 (Max)
Mem4[Trc3] S11 SWR 1 U / Ref 1 U Invisible





Test Report

ELECTRICAL CHARACTERISTICS

LNA TEST



Trc3 **S21** dB Mag 9 dB / Ref 38 dB 3 of 3 (Max)
Mem4[Trc3] **S21** dB Mag 9 dB / Ref 38 dB Invisible

