

# DATA SHEET

---

ITEM	SMD Crystal Unit
MODEL NAME	BS3225QRZ-12M
FREQUENCY	12.000 MHz
PART NO.	BS3225QRZ-12M-4085-1030-8

## ☒ Revision history

---

Rev. No	Date	Revision	In charge
1	29-Mar-24	Initial released	J.H.Lee

## Index

---

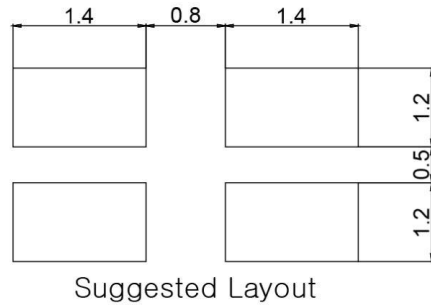
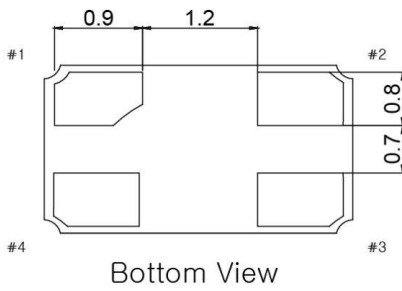
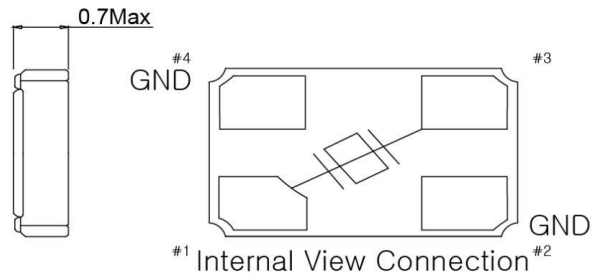
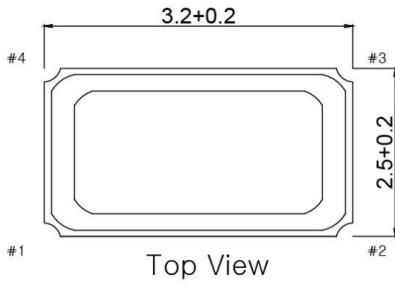
1. Electrical specification
2. Marking & Dimension
3. Reflow profile
4. Packing

# 1. Electrical specification

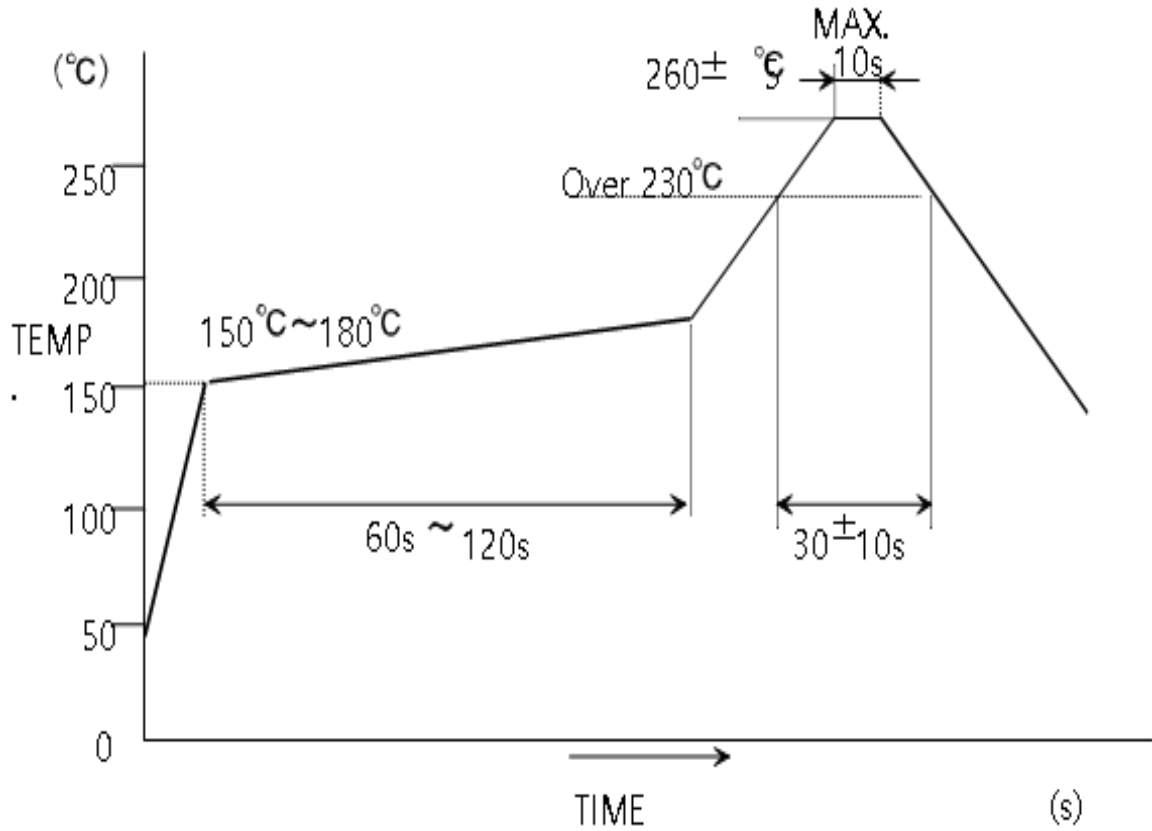
	Item	Conditions	Specifications
1	HOLDER TYPE	BS3225QRZ	3.2X2.5mm
2	FREQUENCY RANGE	MHz	12.000MHz
3	OSCILLATION MODE		Fundamental
4	FREQUENCY TOLERANCE	AT +25±3°C	±10ppm
5	FREQUENCY STABILITY	The reference temperature shall be +25°C	±30ppm
6	OPERATING TEMPERATURE RANGE	°C	-40 ~ +85°C
7	STORAGE TEMPERATURE RANGE	°C	-55 ~ +125°C
8	EQUIVALENT SERIES RESISTANCE	ESR (Ω)	60Ω
9	LOAD CAPACITANCE	pF	8pF
10	INSULATION RESISTANCE	MΩ	500MΩ Min
11	SHUNT CAPACITANCE	C0	3.0pF Max
12	MOTIONAL CAPACITANCE	C1	N/A
13	DRIVE LEVEL	uW	100uW
14	AGING/YEAR	PPM	<±2ppm

## 2. Marking & Dimension

Unit : mm



### 3. Recommendation reflow condition

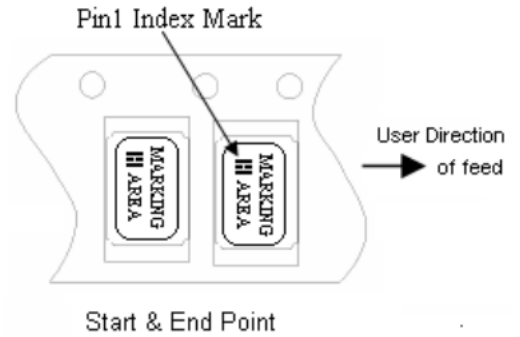
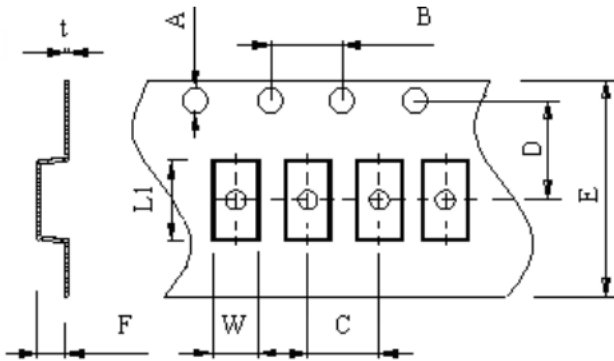


## 4. Packing specification

### ☒ Tape ( Unit : mm )

Standard Reel Quantity is 3,000 pcs per reel.

Tape Dimensions(unit : mm)

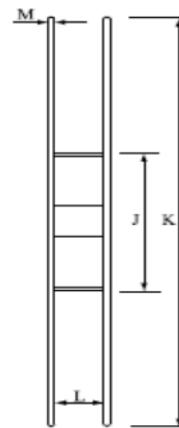
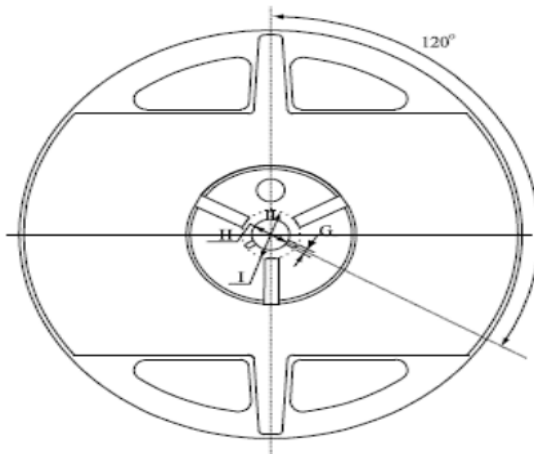


A	B	C	D	E	F	L1	W	t
1.50	4.0	4.0	3.5	8.0	1.0	3.4	2.7	0.3

### ☒ REEL ( Unit : mm )

Standard Reel Quantity is 3,000 pcs per reel.

Reel Dimensions(unit: mm)



G	H	I	J	K	L	M
2.5	13.5	21.6	60.0	178	9.5	1.6