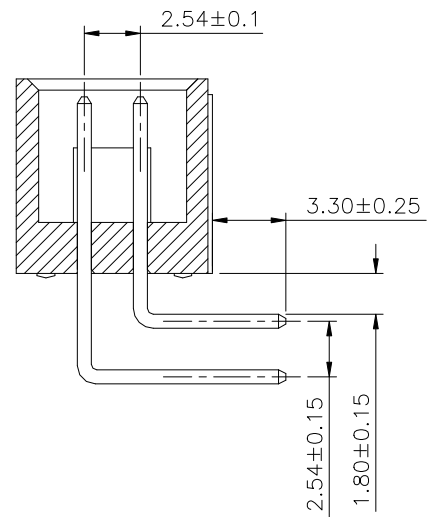
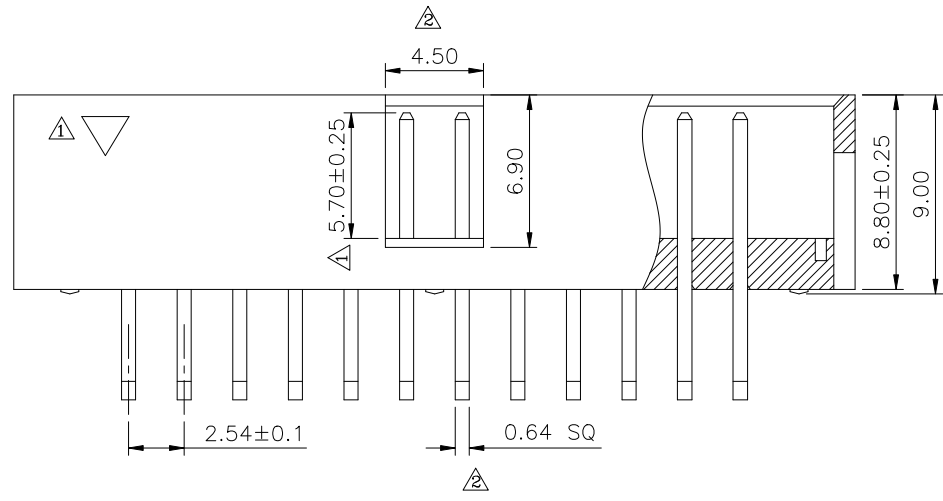
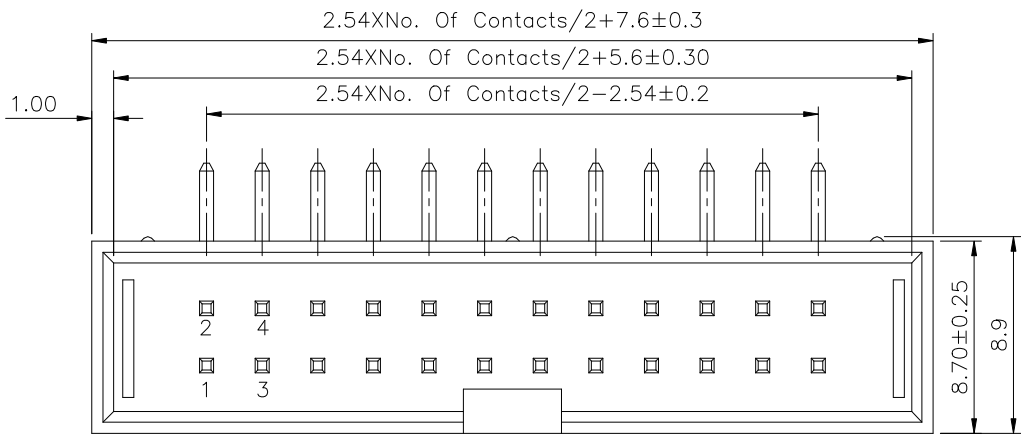


Recommended P.C.Board Layout  
PCB Tolerance:±0.05(Top View)



**SPECIFICATION**

Current Rating:3 Amps  
Withstand Voltage:1000V AC  
Contact Resistance:20 Milliohms Max.  
Insulation Resistance:1000 Megaohms Min.  
Operation Temperature:-40°C~+105°C  
Insulator:PBT(UL94V-0)  
Contact:Brass,Gold Flash Over Nickel  
RoHS Compliant



- BR XX -XX- H  
(1) (2) (3) (4)
- (1) BR:2.54mm Box Header DIP Right Angle
  - (2) XX:No. Of Positio
  - (3) XX:Insulator Color  
Blank:Black  
GE:Gray
  - (4) H:RoHS Compliant



CATEGORY		APPROVED BY		UNLESS OTHERWISE SPECIFIED TOLERANCES ARE △ X. ±0.25 X.* ±2° .X ±0.20 .X* ±1.5° .XX ±0.15 .XX* ±1° .XXX ±0.10 .XXX* ±0.5°				
PART No. △ BRXX-XX-H		MEI			△ A3	Modify P/N:BRXX-H -->BRXX-XX-H	HZF	03/18/2016
DRAWING No. △ BRXX-XX-H		CHECKED BY HZF			△ A2	Modify Data	HZF	04/17/2015
SCALE NONE		DRAWING BY CYP			△ A1	Modify Data	HZF	08/08/2014
REV. A3		UNIT mm		△ A0	NEW RELEASE	HZF	12/18/2010	
NO.REV.		REV. A3		NO.REV. REVISIONS		CHK	DATE	