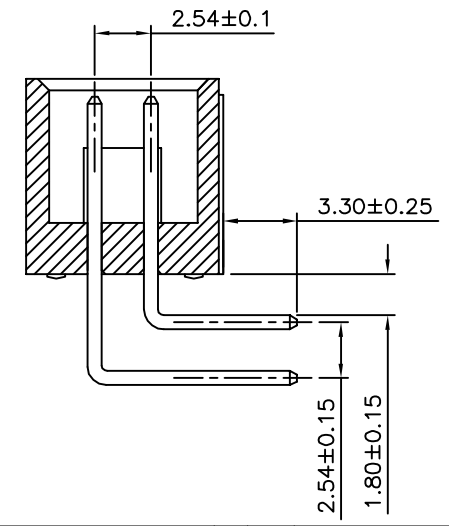
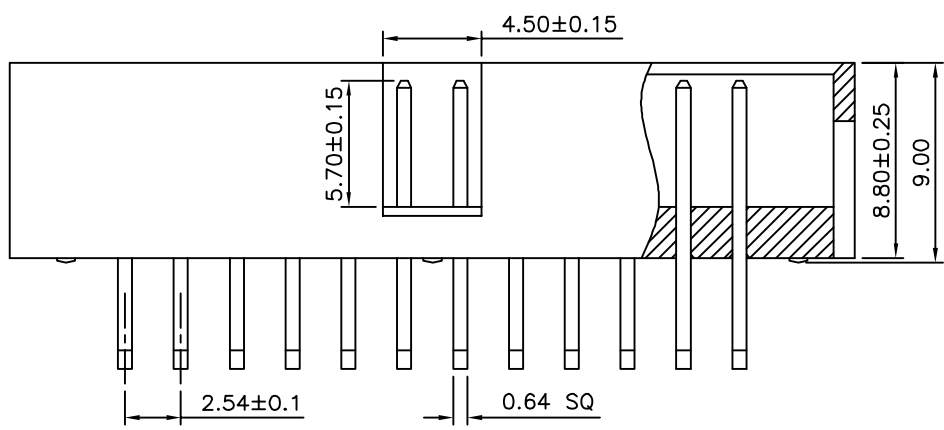
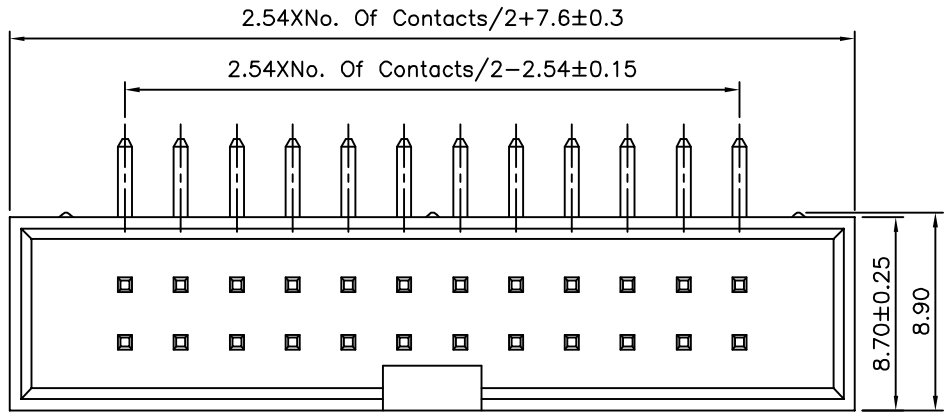


Recommended P.C.Board Layout
PCB Tolerance: ±0.05(Top View)

SPECIFICATION
 Current Rating: 3 Amps
 Withstand Voltage: 1000V AC
 Contact Resistance: 20 Milliohms Max.
 Insulation Resistance: 1000 Megaohms Min.
 Operation Temperature: -40°C ~ +105°C
 Max. Processing Temp.: 180°C For 30~60 Seconds
 (220°C For 10 Seconds)
 Insulator: PBT(UL94V-0), Black
 Contact: Brass, Gold Plated Over Nickel
 RoHS Compliant



AUK A MEMBER OF AUK GROUP
太聯事業股份有限公司
AUK CONTRACTORS CO., LTD.

CATEGORY		APPROVED BY	
		MEI	
PART No.		CHECKED BY	
BRXX-H		HZF	
DRAWING No.		DRAWING BY	
BRXX-H		SONG	
SCALE	NONE	REV.	A0

UNLESS OTHERWISE SPECIFIED TOLERANCES ARE							
X.	±0.3	X.*	±5°				
.X	±0.2	.X*	±1°				
.XX	±0.1	.XX*	±0.5°				
UNIT	mm			NO.	REV.	DATE	
		A0	NEW RELEASE			12/18/2010	
		REVISIONS		CHK			