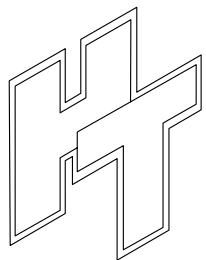
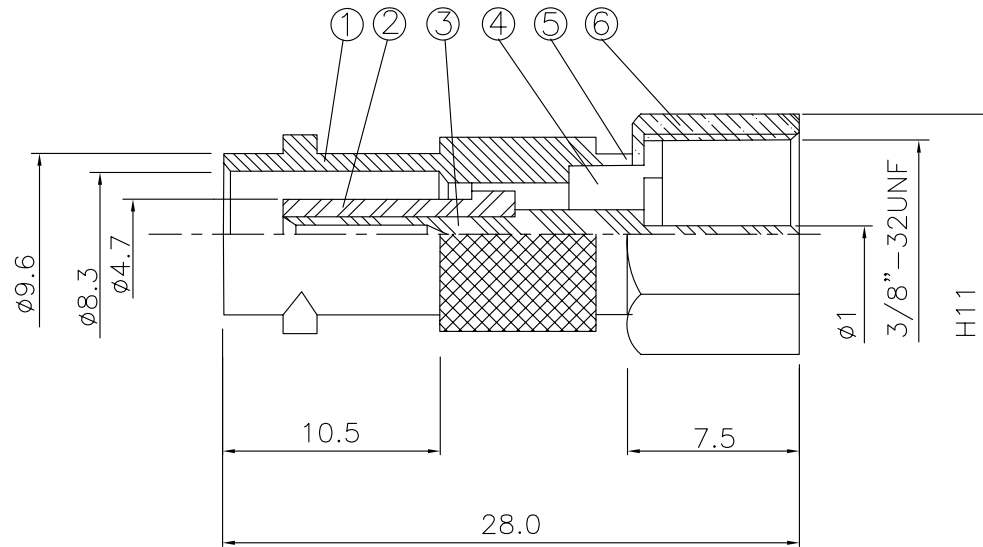
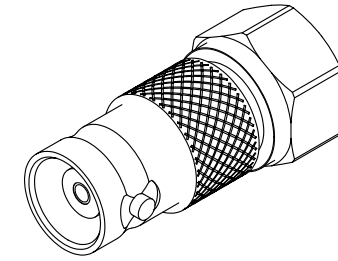


NO	DESCRIPTION	MATERIAL	Q'TY	FINISH
1	BODY	BRASS	1	NICKEL
2	INSULATION	DELRIN	1	DELRIN
3	PIN	BRASS	1	NICKEL
4	INSULATION	DELRIN	1	DELRIN
5	SLEEVE	BRASS	1	NICKEL
6	NUT	BRASS	1	NICKEL



HUS-TSAN GROUP CO., LTD.  
P.O.BOX 40-76.TAINAN.TAIWAN,R.O.C.

TITLE  
BNC FEMALE - F MALE

PART NO.  
BNC-30-DNN

DRAWING NO. BNC 30 DNN

DRAWN MARY DATE 96.06.18

CHECKED 蘇志欣 DATE

Q.A. 蘇姿潔 DATE

APPROVAL 徐燦霖 DATE

REVISION DATE

DIMENSIONS ARE IN MILLIMETERS

UNLESS OTHERWISE SPECIFIED TOLERANCE

0.5-5=±0.2 120-315=±1

5-30=±0.4 315-1000=±1.6

30-120=±0.6 1000-2000=±2.4

SCALE 4:1 SIZE A

REVISION

DESCRIPTION ENGINEER