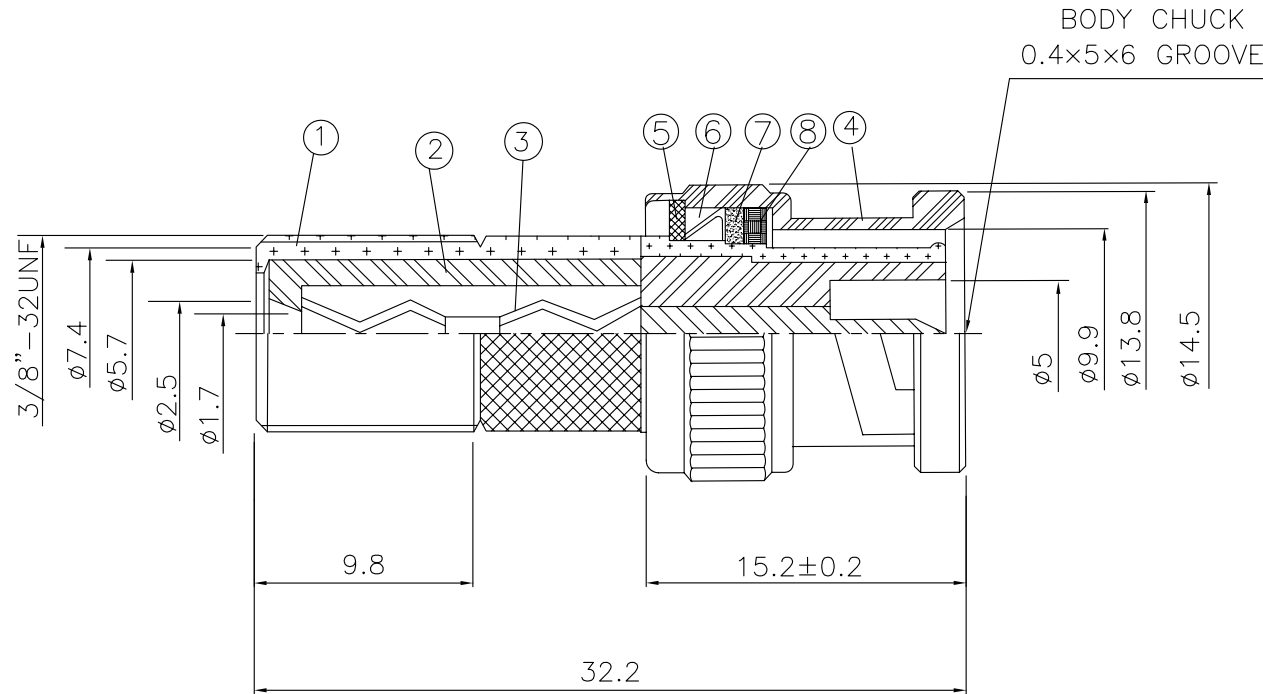
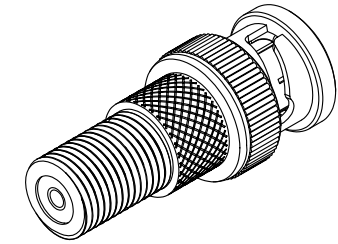


NO	DESCRIPTION	MATERIAL	Q'TY	FINISH
1	BODY	BRASS	1	NICKEL
2	INSULATION	DELTRIN	1	DELTRIN
3	PIN	BRASS	1	NICKEL
4	SHELL	BRASS	1	NICKEL
5	WASHER	BRASS	1	NICKEL
6	SPRING	BRASS	1	NICKEL
7	WASHER	BRASS	1	NICKEL
8	GASKET	RUBBER	1	RUBBER



	HUS-TSAN GROUP CO., LTD. P.O. BOX 40-76. TAINAN. TAIWAN, R.O.C.		DRAWN MARY DATE 96.06.18	DIMENSIONS ARE IN MILLIMETERS UNLESS OTHERWISE SPECIFIED TOLERANCE		REVISION	
	TITLE BNC MALE - F FEMALE		CHECKED 蘇志欣 DATE	0.5-5 = ± 0.2 120-315 = ± 1		DESCRIPTION	ENGINEER
	PART NO. BNC-27-DNN		Q.A. 蘇姿潔 DATE	5-30 = ± 0.4 315-1000 = ± 1.6			
	DRAWING NO. BNC 27 DNN		APPROVAL 徐燦霖 DATE	30-120 = ± 0.6 1000-2000 = ± 2.4			
			REVISION DATE	SCALE 4:1 SIZE A			