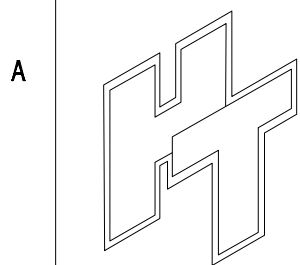
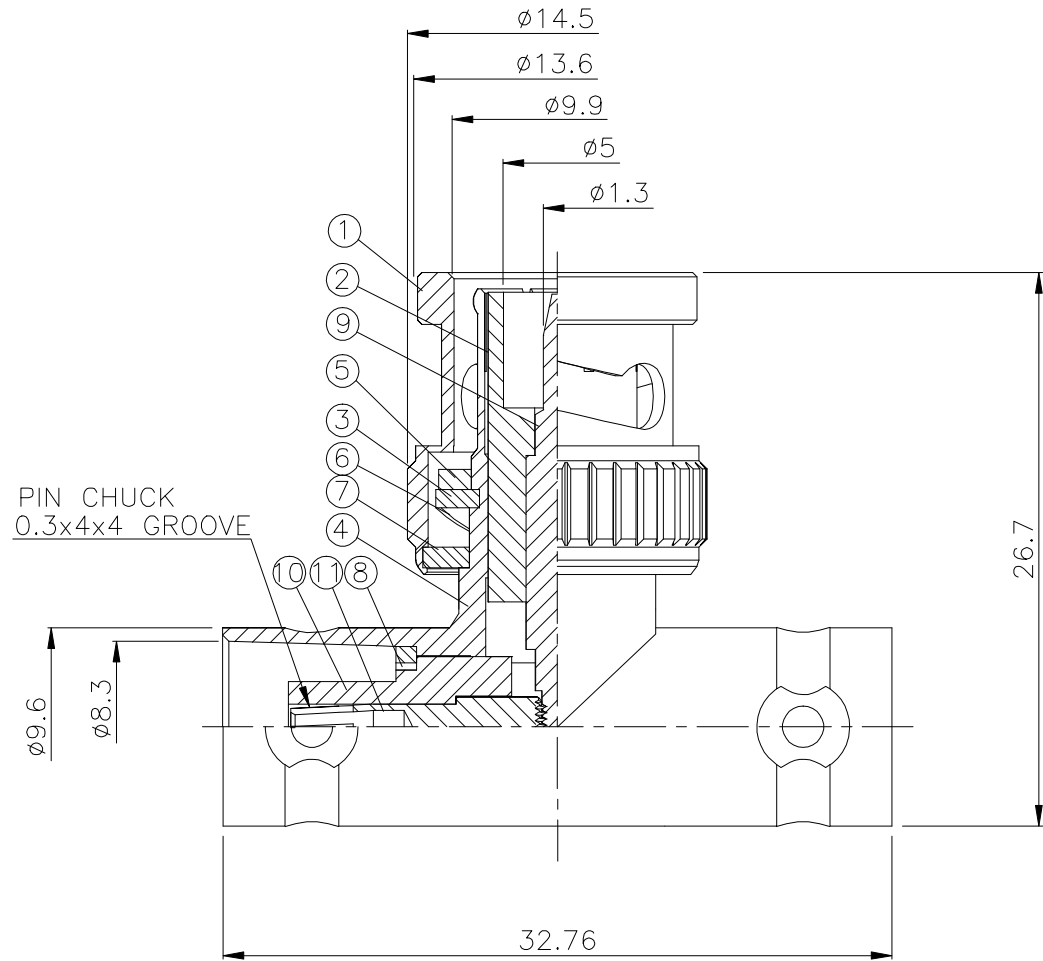
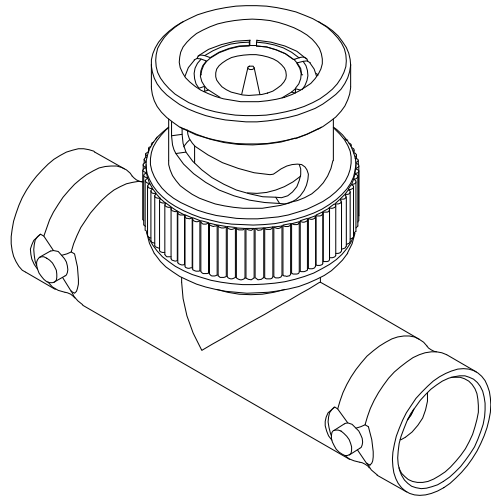


NO	DESCRIPTION	MATERIAL	Q'TY	FINISH
1	SHELL	BRASS	1	NICKEL
2	INSULATION 1	DELRIN	1	DELRIN
3	WASHER 1	BRASS	1	NICKEL
4	BODY 1	ZINC	1	NICKEL
5	GASKET	RUBBER	1	RUBBER
6	SPRING	SK-5	1	NICKEL
7	WASHER 2	BRASS	1	NICKEL
8	WASHER 3	BRASS	1	NICKEL
9	PIN 1	BRASS	1	GOLD
10	INSULATION 2	DELRIN	2	DELRIN
11	PIN 2	BRASS	1	GOLD



HUS-TSAN GROUP CO., LTD.
P.O. BOX 40-76.TAINAN.TAIWAN,R.O.C.

TITLE BNC FEMALE-MALE-FEMALE
ADAPTOR(DIE-CAST BODY)

PART NO. BNC-24-DGZ

DRAWING NO. BNC 24 DGZ

DRAWN 蘇姿潔 **DATE** 99.02.09

CHECKED 蘇志欣 **DATE**

Q.A. 莊千慧 **DATE**

APPROVAL 徐燦霖 **DATE**

REVISION **DATE**

DIMENSIONS ARE IN MILLIMETERS

UNLESS OTHERWISE SPECIFIED TOLERANCE

0.5-5=±0.2 120-315=±1

5-30=±0.4 315-1000=±0.6

30-120=±0.6 1000-2000=±2.4

SCALE 4:1 **SIZE** A

REVISION

DESCRIPTION	ENGINEER