

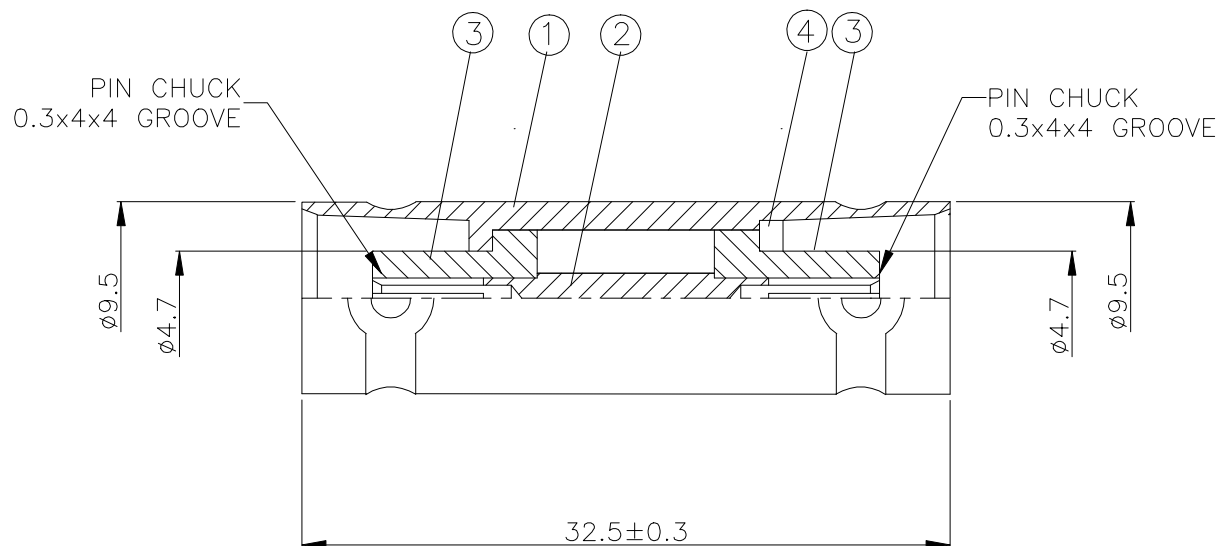
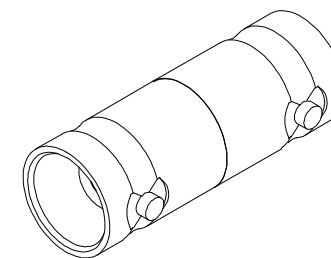
4

3

2

1

NO	DESCRIPTION	MATERIAL	Q'TY	FINISH	REMARK
1	BODY	BRASS	1	NICKEL	B-BNC0469-N
2	PIN	BRASS	1	GOLD	P-BNC0208-G
3	INSULATION	DELTRIN	2	DELTRIN	I-0159D
4	WASHER	BRASS	1	NICKEL	W-0007-N



D

D

C

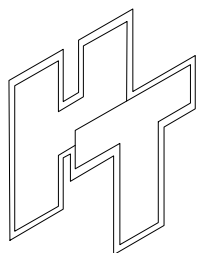
C

B

B

A

A



HUS-TSAN GROUP CO., LTD.

P.O. BOX 40-76.TAINAN.TAIWAN,R.O.C.

TITLE
BNC FEMALE-FEMALEPART NO.
BNC-20-DGN

DRAWING NO. BNC 20 DGN

DRAWN MARY DATE 96.06.18

CHECKED 蘇志欣 DATE

Q.A. 蘇姿潔 DATE

APPROVAL 徐燦霖 DATE

REVISION DATE

DIMENSIONS ARE IN MILLIMETERS

UNLESS OTHERWISE SPECIFIED
TOLERANCE

0.5-5=±0.2 120-315=±1

5-30=±0.4 315-1000=±1.6

30-120=±0.6 1000-2000=±2.4

SCALE 4:1 SIZE A

REVISION

DESCRIPTION ENGINEER

4

3

2

1