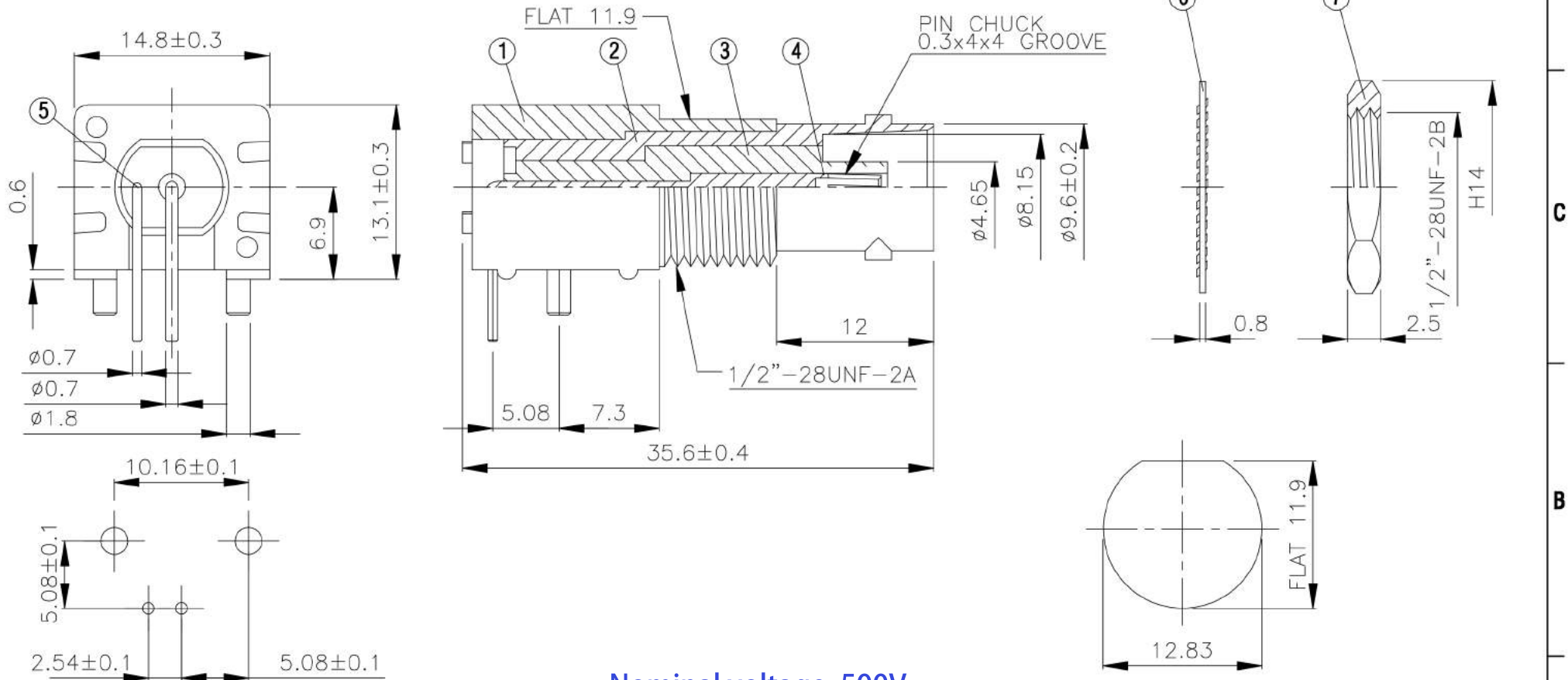


NO	DESCRIPTION	MATERIAL	Q'TY	FINISH
1	HOUSING	PBT	1	WHITE
2	BODY	BRASS	1	NICKEL
3	INSULATION	TEFLON	1	TEFLON
4	PIN	BRASS	1	GOLD
5	GROUNDING	COPPER	1	TIN
6	WASHER	BRASS	1	NICKEL
7	NUT	BRASS	1	NICKEL



Nominal voltage: 500V

	HUS-TSAN GROUP CO., LTD.		DRAWN	MARY	DATE	96.08.14	DIMENSIONS ARE IN MILLIMETERS		REVISION	
	P.O. BOX 40-76.TAINAN.TAIWAN,R.O.C.		CHECKED	蘇志欣	DATE		UNLESS OTHERWISE SPECIFIED TOLERANCE		DESCRIPTION	ENGINEER
	TITLE BNC RIGHT ANGLE FEMALE PCB RECEPTACLE (Series BNC-16)		Q.A.	蘇姿潔	DATE		0.5-5=±0.2	120-315=±1		
	PART NO. BNC-16-DGN		APPROVAL	徐燦霖	DATE		5-30=±0.4	315-1000=±1.6		
	DRAWING NO. BNC 16 DGN		REVISION		DATE		30-120±0.6	1000-2000=±2.4		
		SCALE		4:1	SIZE		A			