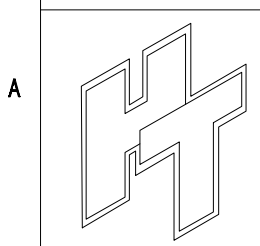
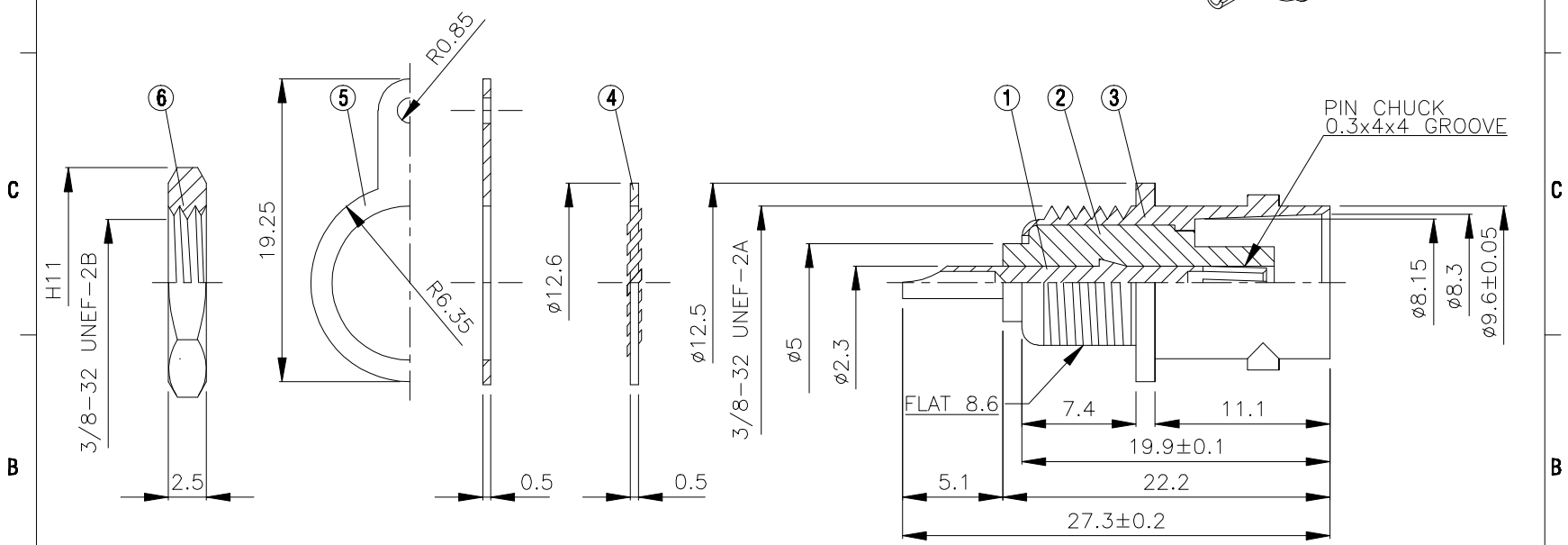
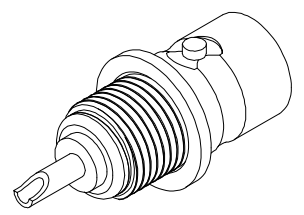


NO	DESCRIPTION	MATERIAL	Q'TY	FINISH	REMARK
1	PIN	BRASS	1	GOLD	P-TNC0076-G
2	INSULATION	DELIN	1	DELIN	I-0001D
3	BODY	BRASS	1	NICKEL	B-BNC0126-N
4	WASHER	BRASS	1	NICKEL	W-0003-N
5	WASHER	BRASS	1	NICKEL	W-0021-N
6	NUT	BRASS	1	NICKEL	N-0010-N



HUS-TSAN GROUP CO., LTD.
P.O. BOX 40-76. TAINAN. TAIWAN, R.O.C.
TITLE BNC BULKHEAD FEMALE RECEPTACLE
PART NO. BNC-15-DGN
DRAWING NO. BNC 15 DGN

DRAWN MARY **DATE 96.01.31**
CHECKED 黃巧君 **DATE**
Q.A. 蘇姿潔 **DATE**
APPROVAL 徐燦霖 **DATE**
REVISION **DATE**

DIMENSIONS ARE IN MILLIMETERS
UNLESS OTHERWISE SPECIFIED TOLERANCE
0.5-5=±0.2 120-315=±1
5-30=±0.4 315-1000=±1.6
30-120±0.6 1000-2000=±2.4
SCALE 4:1 **SIZE A**

REVISION	
DESCRIPTION	ENGINEER

4

3

2

1

A

A